

Operation Manual • December 2008

English
Dansk
Deutsch
Ελληνικά
Español
Français
Italiano
Nederlands
Português
Suomi
Svenska




million
in one


st-h

TRANSDUCER

SIEMENS




ST-H ULTRASONIC TRANSDUCER
 Serial No. GYZ / S1034567
 Amb. Temp.: - 20°C to 60°C
 Max. Input Power: 11.5W, Max. Input Voltage: 380V rms
 Siemens Milltronics Process Instruments Inc., Peterborough
 Made in Canada




 Seguridad
 INMETRO ocp-0000


Class I, Div 1,
 Gr. A, B, C, D; T3C
 Class II, Div 1, Gr. E, F, G
 Amb. Temp.: - 40°C to 73°C
 PERDWG No.:
 1-9470004Z-DX-A




 II 2G
 EExm II T5
 BAS 99ATEXZ298X




 0518 N117



Warning: Electro-Static Hazard,
 Do Not Rub Or Clean On Site




ST-H ULTRASONIC TRANSDUCER
 Serial No. GYZ / S1034567
 Amb. Temp.: - 20°C to 60°C
 Max. Input Power: 11.5W, Max. Input Voltage: 380V rms
 Siemens Milltronics Process Instruments Inc., Peterborough
 Made in Canada




 Seguridad
 INMETRO ocp-0000


BR-Ex m II T5
 MC, AEX-7247-X



 II 2G
 EExm II T5
 BAS 99ATEXZ298X



 0518 N117



Warning: Electro-Static Hazard,
 Do Not Rub Or Clean On Site

ST-H Operation Manual

This manual outlines the essential features and functions of the ST-H Series transducers. The *Transducer Applications Manual* is available for free download on our website:

www.siemens.com/processautomation. A printed version can be purchased from your local Siemens Milltronics representative.

Questions about the contents of this manual can be directed to:

Siemens Milltronics Process Instruments Inc.
1954 Technology Drive, P.O. Box 4225
Peterborough, Ontario, Canada, K9J 7B1
Email: techpubs.smpi@siemens.com

**Copyright Siemens Milltronics Process
Instruments Inc. 2004.
All Rights Reserved**

Disclaimer of Liability

We encourage users to purchase authorized bound manuals, or to view electronic versions as designed and authored by Siemens Milltronics Process Instruments Inc. Siemens Milltronics Process Instruments Inc. will not be responsible for the contents of partial or whole reproductions of either bound or electronic versions.

While we have verified the contents of this manual for agreement with the instrumentation described, variations remain possible. Thus we cannot guarantee full agreement. The contents of this manual are regularly reviewed and corrections are included in subsequent editions. We welcome all suggestions for improvement.

Technical data subject to change.

MILLTRONICS is a registered trademark of Siemens Milltronics Process Instruments Inc.

Safety Guidelines

Warning notices must be observed to ensure personal safety as well as that of others, and to protect the product and the connected equipment. These warning notices are accompanied by a clarification of the level of caution to be observed.



WARNING: relates to a caution symbol on the product, and means that failure to observe the necessary precautions can result in death, serious injury, and/or considerable material damage.



WARNING: means that failure to observe the necessary precautions can result in death, serious injury, and/or considerable material damage.

CAUTION: means that failure to observe the necessary precautions can result in considerable material damage.

Note: means important information about the product or that part of the operating manual.

Unit Repair and Excluded Liability

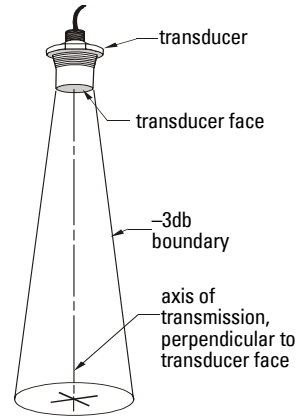
- The user is responsible for all changes and repairs made to the device by the user or by the user's agent.
- All new components are to be provided by Siemens Milltronics Process Instruments Inc.
- Restrict repair to faulty components only.
- Do not reuse faulty components.

Introduction

The ST-H transducer operates with Siemens Milltronics ultrasonic level monitoring products.

The transducer converts the electrical energy of the transmit pulse from the transceiver into acoustical energy. It then converts the acoustical energy of the echo back into electrical energy for the controller.

The transducer face emits acoustical energy that radiates outward, decreasing in amplitude at a rate inversely proportional to the square of the distance. Maximum power radiates perpendicularly from the transducer face on the axis of transmission. Where power is reduced by half (-3 dB), a conical boundary centered around the axis of transmission defines the sound beam, the diameter of which is the beam angle.



The ST-H transducers have an integrated temperature sensor that reports the air temperature at the transducer to the controller.

General Guidelines



WARNING: Materials of construction are chosen based on their chemical compatibility (or inertness) for general purposes. For exposure to specific environments, check with chemical compatibility charts before installing.

Note: This product is intended for use in industrial areas. Operation of this equipment in a residential area may cause interference to several frequency based communications.

Instructions specific to hazardous area installations (Reference European ATEX Directive 94/9/EC, Annex II, 1/0/6)

The following instructions apply to equipment covered by certificate number BAS 99ATEX2298X.

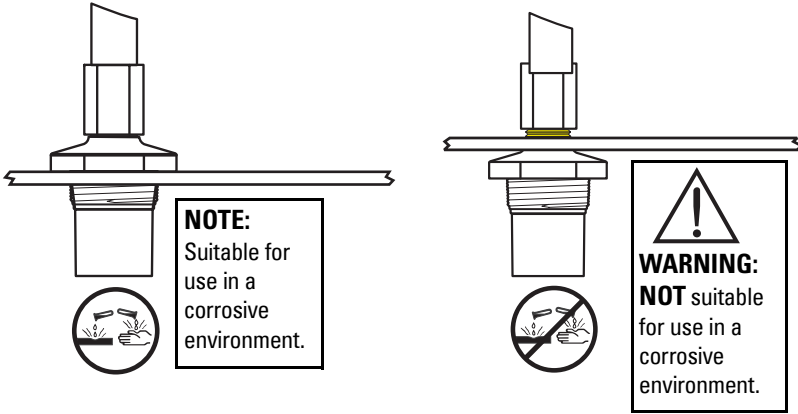
1. The equipment may be used with flammable gases and vapors with the Apparatus Group II and with Temperature class T5.
2. The equipment is certified for use in an ambient temperature range of -20 °C to +60 °C.
3. The equipment has not been assessed as a safety related device as referred to by EC Directive 94/9/EC Annex II, clause 1.5.
4. The certificate has a 'X' suffix, which indicates that special conditions of installation and use apply. Those installing or inspecting this equipment must have access to the contents of the certificate.
5. The transducer has no internal fuse or any other components which will guarantee its suitability for connection to a prospective short circuit current of 4000A. The transducer must be supplied from apparatus suitable for connection to a supply having a prospective short circuit not exceeding 4000A. This condition is met by Siemens Milltronics transceivers.
6. Installation and inspection of this equipment shall be carried out by suitably trained personnel in accordance to the applicable code of practice (EN 60079-14 and EN 60079-17 within Europe).
7. Repair of this equipment shall be carried out by suitably trained personnel in accordance with the applicable code of practice (e.g. EN60079-19 within Europe).
8. Components to be incorporated into or used as replacements in the equipment shall be fitted by suitably trained personnel in accordance with the manufacturer's documentation.
9. The certification of this equipment relies upon the following materials used in its construction:
 - Norton Performance Plastics Chemgrip bonding compound
 - ETFE housing material
 - PVDF housing material
 - Master Bond Polysulphide EP21LPT or Dow-Corning 3-4207 encapsulant
 - Cotronics Durapot 861-F3 encapsulant
 - Cotronics Durapot 864 encapsulant

If the equipment is likely to come into contact with aggressive substances, such as solvents that may affect polymeric materials, it is the responsibility of the user to take suitable precautions to prevent the equipment from being adversely affected. It is important to perform routine inspections and establish from the materials data sheet that the transducer is resistant to chemicals used in the application.

Safety Precautions

The ST-H transducer body is a two part design moulded in PVDF or ETFE with internal parts potted in epoxy. The joint between the upper and lower sections is not a hermetic seal. The structural integrity of the transducer will be compromised if the joint is exposed to an environment that attacks epoxy. As a result, the top section will separate from the main body of the transducer.

For environments that are compatible with PVDF or ETFE but may degrade epoxy, the transducer must be mounted through a flange or stub mount using the 2" thread on the lower section of the transducer. The joint between upper and lower sections of the transducer must be isolated from the corrosive environment.



If the top section separates from the main body of the transducer, live circuitry will be exposed to the hazardous environment, increasing the risk of an explosion if volatile or explosive dusts or gases are in sufficient concentration. A malfunction of the level system may also occur, which may affect the process using the ultrasonic ranging system.

Specifications

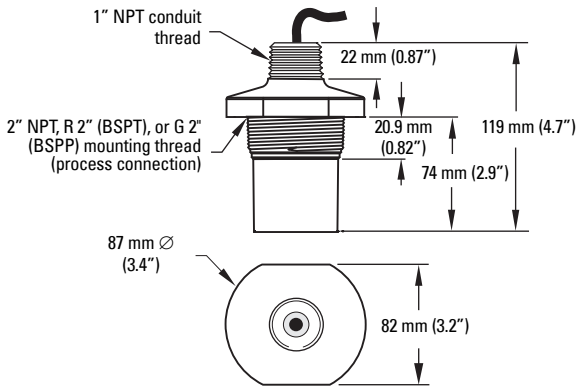
ST-H Transducer	
Measurement Range	0.3 - 10 m (1 - 33 ft)
Pressure	vent to atmosphere
Supply Source	transducer shall only be supplied by a Siemens Milltronics certified controller
Frequency	44 kHz
Beam Angle	12°
Weight*	1.4 kg (3 lbs)
Separation	365 m (1200 ft) from transceiver
Environmental	
Location	indoor/outdoor
Altitude	2000 m (maximum)
Ambient Temperature	-20 to +60 °C (-5 to +140 °F) (ATEX approved model) -40 to +73 °C (-40 to +163 °F) (CSA/FM approved model)
Construction	
Housing	PVDF or ETFE base and lid (epoxy fitted joint)**
Mounting	2" NPT (Taper), R 2" (BSPT), or G 2" (BSPP) process connection
Cable	2-core shielded/twisted, 0.519 mm ² (20 AWG), PVC sheath
Options	<ul style="list-style-type: none"> • flange adapter, refer to associated instructions • submergence coupling, refer to associated instructions
Approvals	CE***, FM, ATEX, C-TICK, INMETRO, CSA (ETFE only)

* Approximate shipping weight of transducer with standard cable length.

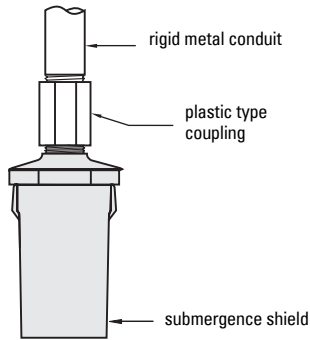
** For chemical application check compatibility of ETFE or PVDF and epoxy, or mount joint external to process.

*** Performance available upon request.

Outline and Dimensions

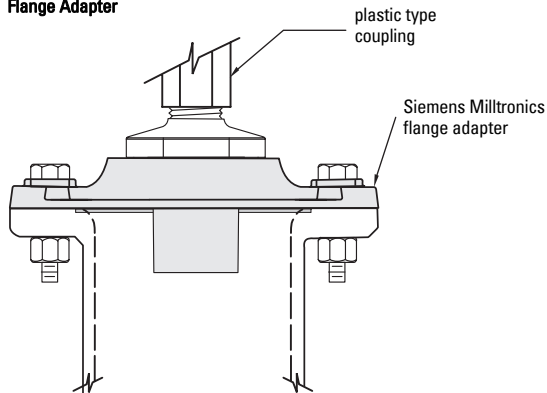


Submersible



Submergence transducer, used in applications where flooding is possible.

Flange Adapter

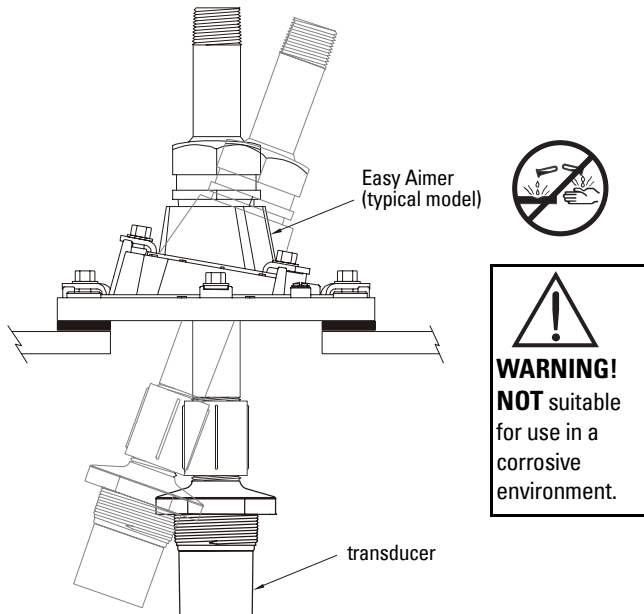


Mounting

- Do not mount the transducer directly to metal. Use a plastic type coupling and nipple for isolation (customer supplied).
- Mount the transducer so that it is **above the maximum material level by at least the blanking value**. Refer to the associated controller manual.
- For liquid applications, the transducer must be mounted so that the axis of transmission is perpendicular to the liquid surface. For tanks with a parabolic top, an Easy Aimer may be used to mount the transducer face perpendicular to the liquid surface.
- For solids applications, use a Siemens Milltronics Easy Aimer to aim the transducer.
- Where the transducer is mounted to a standpipe, the inner standpipe surface and end must be smooth and free of burrs, ridges, and seams.
- Consider the optional temperature sensor when mounting the transducer.
- Do not overtighten mounting. Hand tightening of the mounting hardware is sufficient.

Mounting – Solids Applications

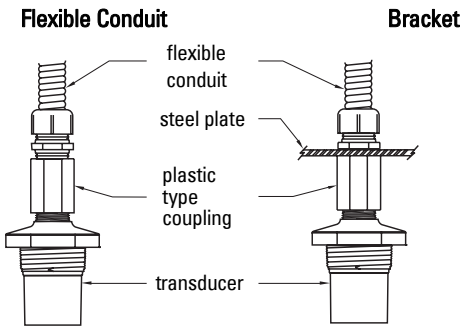
Non-Corrosive Applications



In solids applications, mount the transducer so that it is aimed toward the low level draw point. Use the optional Siemens Milltronics Easy Aimer to facilitate this mounting.

Mounting – Liquids Applications

Non-Corrosive Applications

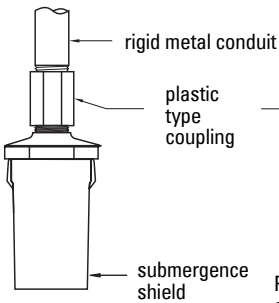


Flexible conduit mounted transducer should not be subjected to wind, vibration, or jarring



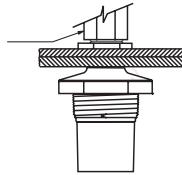
WARNING!
NOT suitable
for use in a
corrosive
environment.

Submersible



Submersible transducer, use in applications where flooding is possible.

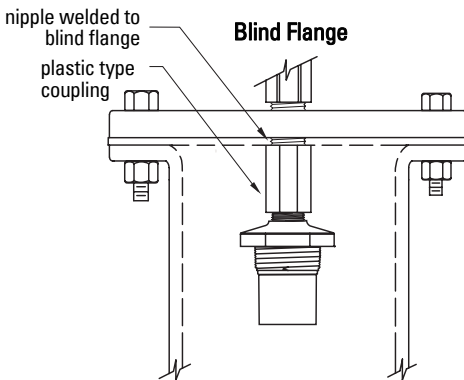
Plywood



Plywood mounting provides excellent isolation, but must be rigid enough to avoid flexing if subjected to loading.



WARNING!
NOT suitable
for use in a
corrosive
environment.



Flange, gasket, and hardware supplied by customer.

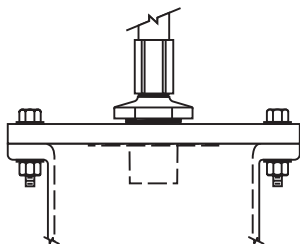


WARNING!
NOT suitable
for use in a
corrosive
environment.

Mounting – Liquids Applications

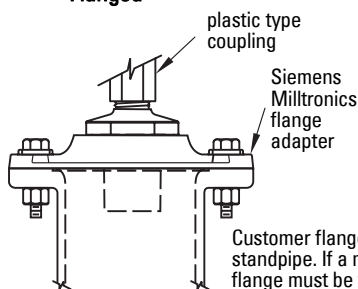
Corrosive Applications

Blind Flange



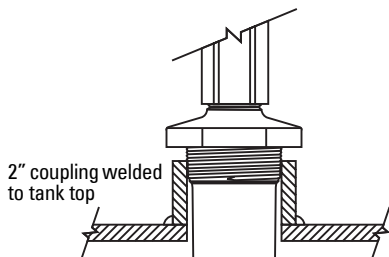
Flange, gasket, and hardware supplied by customer.

Flanged

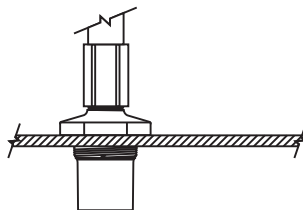


Customer flanged standpipe. If a metal flange must be welded to pipe, refer to the *Transducer Application Manual*, available at www.siemens.com/processautomation

Coupling



Coupling



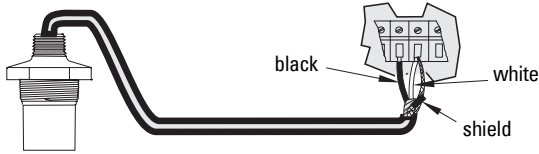
Interconnection

Note: Installation shall only be performed by qualified personnel and in accordance with local governing regulations.

- For optimum isolation against electrical noise, run cable separately in a grounded metal conduit with no other cabling (except temperature sensor). Ground shield only at transceiver. Insulate shield at junctions to prevent inadvertent grounding.
- Seal all thread connections to prevent ingress of moisture.
- Do not route cable openly.
- Do not run cable near high voltage or current runs, contactors, and SCR control drives.

Direct Connection

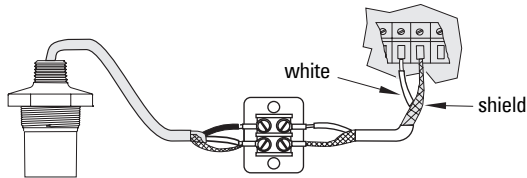
Connect the transducer directly to the Milltronics transceiver using the two conductor shielded cable.



Note: When connecting to a SITRANS LUC500, a MultiRanger 100/200, or a HydroRanger 200, the white, black, and shield wires are all connected separately. DO NOT tie the white and shield wires together.

Coaxial Extension

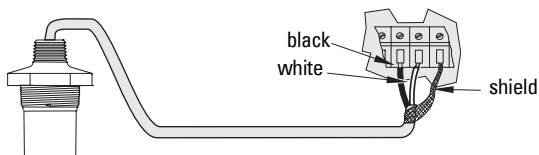
Connect the transducer to the Siemens Milltronics transceiver via a junction box and RG-62 A/U coaxial cable. This setup is effective for combined runs up to 365 m (1200 ft).



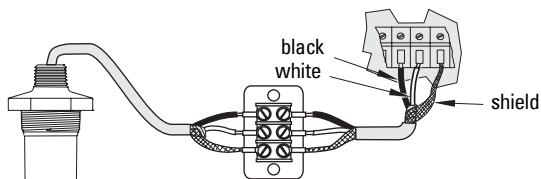
Extend cable using RG-62 A/U coax.

Note: When connecting to a SITRANS LUC500, MultiRanger 100/200, and HydroRanger 200, do NOT use coaxial cable; see diagram below for proper procedure.

3 Terminal Direct*



3 Terminal Extension*



Extend cable using 0.823 mm² (18 AWG) shielded/twisted pair.

* For SITRANS LUC500, MultiRanger 100/200, and HydroRanger 200 only

ST-H Driftsvejledning

Denne manual oprider de væsentligste karakteristika og funktioner af transducerne i ST-H serien. Manualen *Vejledning i anvendelse af transducere* kan downloades gratis fra vort website: www.siemens.com/processautomation. Et trykt eksemplar kan købes hos din lokale Siemens Milltronics repræsentant.

Spørgsmål vedrørende indholdet af denne manual kan rettes til:

Siemens Milltronics Process Instruments Inc.
1954 Technology Drive, P.O. Box 4225
Peterborough, Ontario, Canada, K9J 7B1
E-mail: techpubs.smpi@siemens.com

Dansk

Copyright Siemens Milltronics Process Instruments Inc. 2004. Alle rettigheder forbeholdes	Ansvarsfrågøelse
Vi opfordrer brugerne til at anskaffe de autoriserede, indbundne manualer eller læse de elektroniske versioner, der er udarbejdet og skrevet af Siemens Milltronics Process Instruments Inc. Siemens Milltronics Process Instruments Inc. påtager sig intet ansvar for indholdet af delvise eller fuldstændige gengivelser af indbundne eller elektroniske versioner.	Skønt vi har kontrolleret, at indholdet af denne manual stemmer overens med de beskrevne instrumenter, kan der stadig forekomme variationer. Vi kan derfor ikke garantere en fuldstændig overensstemmelse. Indholdet af denne manual revideres jævnligt, og eventuelle rettelser inkluderes i de efterfølgende udgaver. Vi modtager gerne forslag til forbedringer. Retten til ændringer af de tekniske data forbeholdes.

MILLTRONICS er et registreret varemærke, der tilhører Siemens Milltronics Process Instruments Inc.

Sikkerhedsvejledning

De anførte advarsler skal overholdes for at sikre egen og andres sikkerhed samt for at beskytte produktet og det tilknyttede udstyr. Disse advarsler ledsages af en tydeliggørelse af graden af forsigtighed, der bør overholdes.



ADVARSEL: vedrører et advarselssymbol på produktet og betyder, at en manglende overholdelse af de nødvendige forholdsregler kan føre til død, alvorlig personskade og/eller omfattende materielle skader.



ADVARSEL: betyder, at en manglende overholdelse af de nødvendige forholdsregler kan føre til død, alvorlig personskade og/eller omfattende materielle skader.

PAS PÅ: betyder, at en manglende overholdelse af de nødvendige forholdsregler kan føre til omfattende materielle skader.

Bemærk: betyder vigtige oplysninger om produktet eller denne del af brugsvejledningen.

Reparation af instrumentet og ansvarsbegrænsning

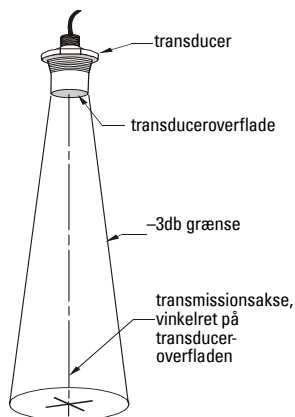
- Brugeren er ansvarlig for alle modifikationer og reparationer, der udføres på apparatet af brugeren eller dennes repræsentant.
- Alle nye dele skal leveres af Siemens Milltronics Process Instruments Inc.
- Kun defekte dele bør repareres.
- Defekte dele må ikke genbruges.

Indledning

ST-H transducerne fungerer sammen med Siemens Milltronics ultralydsniveauevervågningsprodukter.

Transduceren omdanner den elektriske energi af sendeimpulsen fra transceiveren til akustisk energi. Derefter omdanner den ekkoets akustiske energi tilbage til elektrisk energi til kontrolenheden.

Transduceroverfladen udsender akustisk energi, der udbreder sig med en amplitude, som falder omvendt proportionalt med kvadraten af afstanden. Den udbredte effekt er maksimal vinkelret på transduceroverfladen langs transmissionsaksen. Lydstrålen, hvis diameter betegnes strålevinklen, defineres som en kegle centreret omkring transmissionsaksen med en grænse svarende til en reduktion af effekten til halvdelen (-3 dB).



ST-H transducerne har en indbygget temperaturføler, der oplyser kontrolenheden om lufttemperaturen ved transduceren.

Generel vejledning



ADVARSEL: Konstruktionsmaterialerne er valgt på basis af deres kemiske kompatibilitet (eller inerti) ved almindelig brug. Hvis de skal udsættes for særlige omgivelser, bør foreneligheden kontrolleres i tabeller over kemisk kompatibilitet inden installationen.

Bemærk: Dette produkt er beregnet til anvendelse i industriområder. Brugen af dette udstyr i et beboelsesområde kan forårsage interferens med forskellige frekvensbaserede kommunikationer.

Særlige anvisninger vedrørende installation i områder med eksplosionsrisiko

(Reference: det europæiske ATEX Direktiv 94/9/EF, Bilag II, 1/0/6)

Følgende instruktioner gælder for anlæg, der er dækket af certifikat nummer BAS 99ATEX2298X.

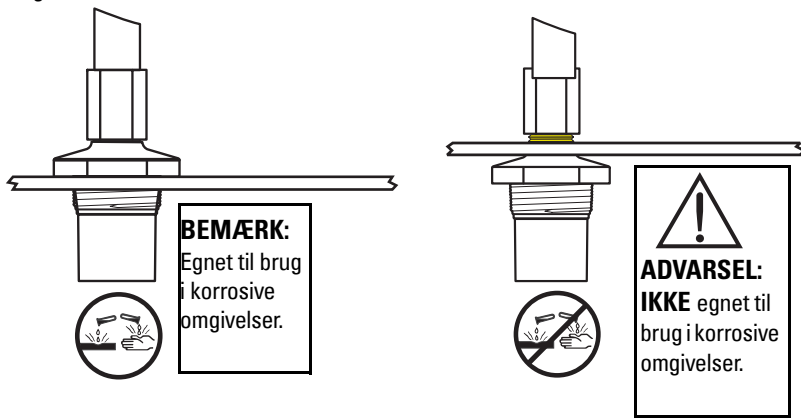
1. Dette udstyr kan anvendes med brændbare gasser og dampe sammen med apparatgruppen II og i temperaturklassen T5.
2. Dette udstyr er godkendt til brug ved omgivende temperaturer i intervallet fra -20 °C til +60 °C.
3. Dette udstyr vurderes ikke som en sikkerhedsanordning som beskrevet i direktivet 94/9/EF Bilag II, paragraf 1.5.
4. Certifikatet ender på "X," hvilket angiver, at der gælder særlige betingelser for installationen og brugen. De personer, der skal installere eller inspicere dette udstyr, skal have adgang til certifikatets indhold.
5. Transducere omfatter ikke nogen indre sikring eller andre komponenter, der kan garantere dens egnethed ved tilslutning til en potentiel kortslutningsstrøm på 4000A. Transducere skal strømforsynes fra et apparat, der er egnet til tilslutning til en strømforsyning med en potentiel kortslutning på under 4000A. Denne betingelse opfyldes af Siemens Milltronics' transceivere.
6. Installationen og inspektionen af dette udstyr skal udføres af tilstrækkeligt uddannet personale i henhold til de gældende normer (EN 60079-14 og EN 60079-17 i Europa).
7. Reparation af dette udstyr skal udføres af tilstrækkeligt uddannet personale i henhold til de gældende normer (fx. EN 60079-19 i Europa).
8. Komponenter, der skal indbygges eller bruges som erstatningskomponenter i udstyret, skal monteres af tilstrækkeligt uddannet personale i henhold til fabrikantens dokumentation.
9. Dette udstyr er godkendt på baggrund af brugen af følgende materialer ved dets fremstilling:
 - Klæbemiddel: Norton Performance Plastics Chemgrip
 - Hus: ETFE
 - Hus: PVDF
 - Indkapsling: Master Bond Polysulphide EP21LPT eller Dow-Corning 3-4207
 - Indkapsling: Cotronics Durapot 861-F3
 - Indkapsling: Cotronics Durapot 864

Hvis det er sandsynligt, at udstyret vil komme i kontakt med aggressive stoffer, såsom opløsningsmidler, der kan påvirke polymermaterialerne, påhviler det brugeren at træffe egnede foranstaltninger for at undgå, at udstyret påvirkes u hensigtsmæssigt. Det er vigtigt at gennemføre rutinemæssige inspektioner og at fastslå ud fra materialernes datablade, at transducere er modstandsdygtig over for de kemikalier, der bruges i processen.

Sikkerhedsregler

ST-H transducerens krop udgøres af to dele, der er støbt i PVDF eller ETFE (ethylen-tetrafluorethylen-copolymer), med de indre dele indkapslet i epoxy. Samlingen mellem den øvre og den nedre del er ikke hermetisk forseglet. Hvis denne samling udsættes for omgivelser, der angriber epoxy, vil transducerens strukturelle integritet kunne tage skade. Som følge heraf vil den øvre del skilles fra transducerens hoveddel.

I tilfælde af omgivelser, der er forenelige med PVDF eller ETFE, men som kan nedbryde epoxy, skal transduceren monteres gennem en flange eller en tap vha. 2" gevindet på transducerens nedre del. Samlingen mellem transducerens øvre og nedre del skal isoleres fra de korrosive omgivelser.



Hvis den øvre del skiller fra transducerens hoveddel, vil strømførende kredsløb blive udsat for omgivelserne, hvilket forøger risikoen for eksplosion, såfremt flygtige eller eksplosive gasser eller støv er til stede i en tilstrækkelig koncentration. Der kan også indtræffe en funktionsfejl i niveaumålingssystemet, som kan påvirke den proces, i hvilken ultralydsmålingen anvendes.

Tekniske data

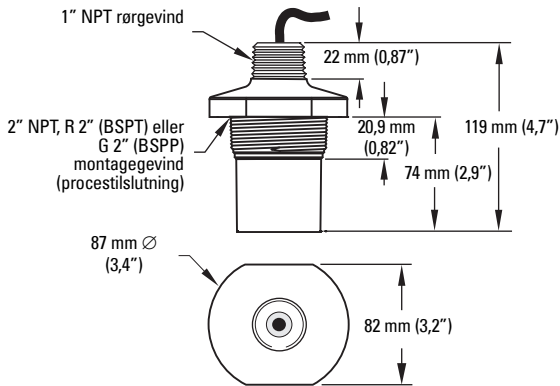
ST-H transducer	
Måleområde	0,3 - 10 m (1 - 33 ft)
Tryk	åben til atmosfæren
Forsyningskilde	transduceren må kun forsynes fra en kontrolenhed, der er godkendt af Siemens Milltronics
Frekvens	44 kHz
Strålevinkel	12°
Vægt*	1,4 kg (3 lbs)
Afstand	365 m (1200 ft) fra transceiveren
Omgivelser	
Placering	indendørs/udendørs
Højde	2000 m (maksimum)
Omgivelsestemperatur	-20 til +60 °C (-5 til +140 °F) (ATEX-godkendt model) -40 til +73 °C (-40 til +163 °F) (CSA/FM-godkendt model)
Konstruktion	
Hus	Base og låg af PVDF eller ETFE (samling indkapslet i epoxy)**
Montage	Procestilslutning: 2" NPT (Konisk), R 2" (BSPT) eller G 2" (BSP)
Kabel	2-trådet afskærmet/snoet, 0,519 mm ² (20 AWG) PVC-beklædning
Ekstraudstyr	<ul style="list-style-type: none">• flangeadapter, jf. den tilhørende vejledning• neddykkelig samling, jf. den tilhørende vejledning
Godkendelser	CE***, FM, ATEX, C-TICK, INMETRO, CSA (kun ETFE)

* Omtrentlig forsendelsesvægt af transducer med standard kabellængde.

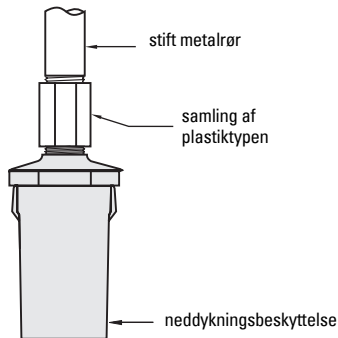
** Ved kemiske anvendelser skal kompatibiliteten af ETFE eller PVDF og epoxy kontrolleres, eller samlingen monteres uden for processen.

*** Ydelsesdata oplyses på anfordring.

Omrids og dimensioner

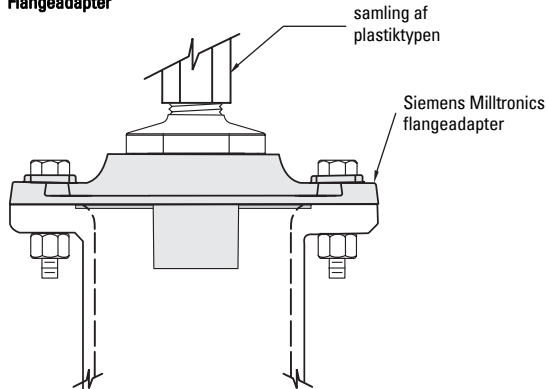


Neddykkelig version



Neddykkelig transducer, der bruges i anvendelser, hvor der er risiko for oversvømmelse.

Flangeadapter

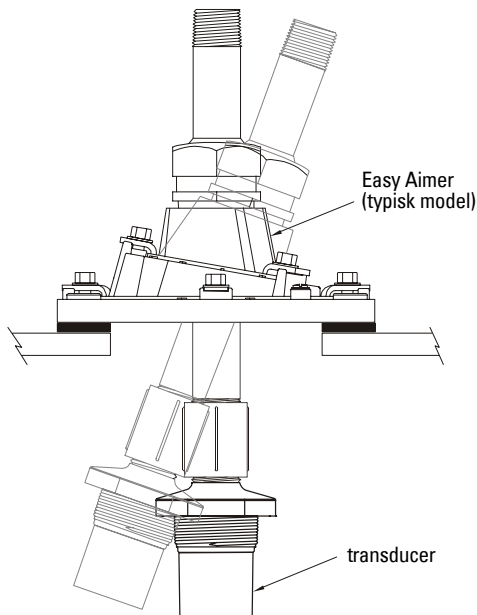


Montage

- Transducere må ikke monteres direkte på metal. Brug en samling af plastiktypen og -nippel som isolation (leveres af kunden).
- Transducere monteres, så den sidder i en afstand **over materialets maksimale niveau, der mindst er lig med slukningsafstanden**. Der henvises til manualen for den tilhørende kontrolenhed.
- Ved anvendelser med væsker skal transducere monteres, så transmissionsaksen er vinkelret på væskeoverfladen. På tanke med parabolisk top kan der bruges en Easy Aimer til at montere transducerfladen vinkelret på væskeoverfladen.
- Ved anvendelser med faste stoffer bruges en Siemens Milltronics Easy Aimer til at rette transducere ind.
- Når transducere monteres på et stigrør, skal stigrørets indre overflade og ende være glatte og fri for grat, kanter og sømme.
- Tag højde for en eventuel temperaturføler (ekstraudstyr) ved montering af transducere.
- Pas på ikke at stramme for meget. Det er tilstrækkeligt at stramme monteringsudstyret med håndkraft.

Montage – Anvendelser med faste stoffer

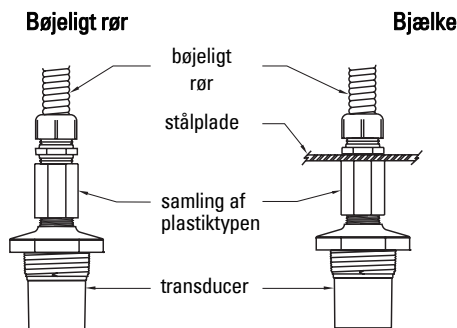
Ikke-korrosive anvendelser



Ved anvendelser med faste stoffer skal transducere monteres, så den er rettet mod det nedre udtagningspunkt. Brug Siemens Milltronics Easy Aimer (ekstraudstyr) til at lette denne montage.

Montage – Anvendelser med væsker

Ikke-korrosive anvendelser

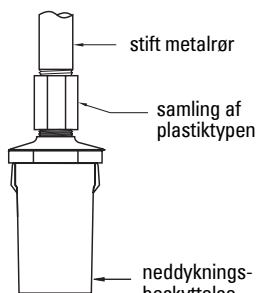


En transducer, der er monteret på et bøjeligt rør, bør ikke udsættes for vind, vibrationer eller stød



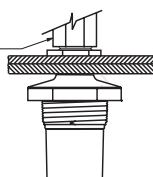
ADVARSEL!
IKKE egnet til brug i korrosive omgivelser.

Neddykkelig version



Neddykkelig transducer, bruges i anvendelser, hvor der er risiko for oversvømmelse.

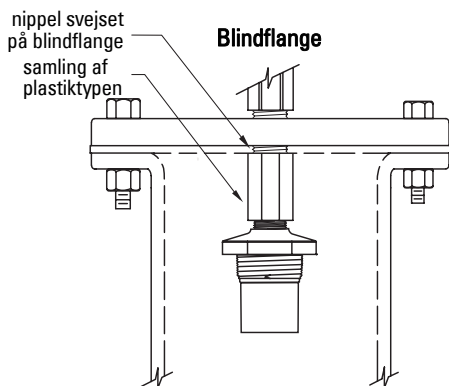
Krydsfiner



Montering på krydsfiner giver en fremragende isolation men bør være tilstrækkelig stiv til ikke at bøjes, hvis den udsættes for belastning.



ADVARSEL!
IKKE egnet til brug i korrosive omgivelser.



Flangen, pakningen og de øvrige dele leveres af kunden.

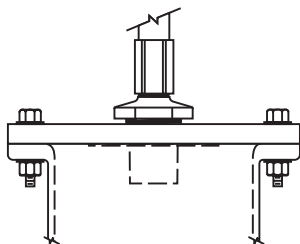


ADVARSEL!
IKKE egnet til brug i korrosive omgivelser.

Montage – Anvendelser med væsker

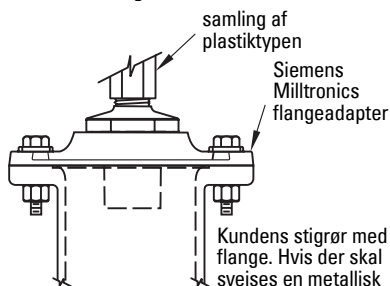
Korrosive anvendelser

Blindflange



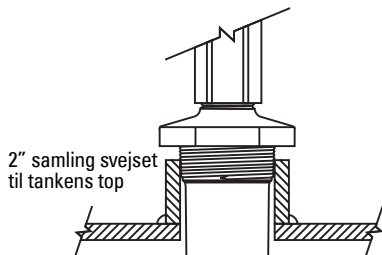
Flangen, pakningen og de øvrige dele leveres af kunden.

Med flange

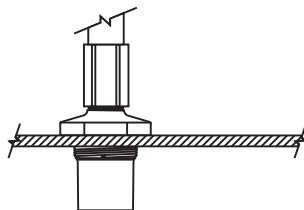


Kundens stigrør med flange. Hvis der skal svejses en metallisk flange på røret, henvises der til *Vejledning i anvendelse af transducere*, der fås på www.siemens.com/processautomation

Samling



Samling



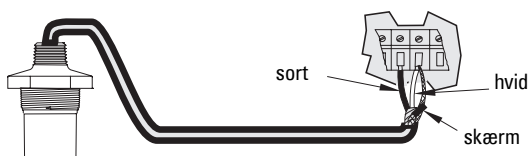
Sammenkobling

Bemærk: Installationen må kun foretages af kvalificeret personale og under overholdelse af de lokalt gældende regler.

- For en optimal isolation mod elektrisk støj bør kablet føres separat i et jordet metalrør uden andre kabler (undtagen temperaturføleren). Afskærmningen skal kun jordes ved transceiveren. Afskærmningen skal isoleres ved samlingerne for at undgå utilsigtet jording.
- Tætn alle gevindsamlinger for at undgå fugtindtrængning.
- Undgå at trække kablet utildækket.
- Undgå at føre kablet i nærheden af højspænding eller stærkstrøm, kontaktorer eller SCR-styredrev.

Direkte forbindelse

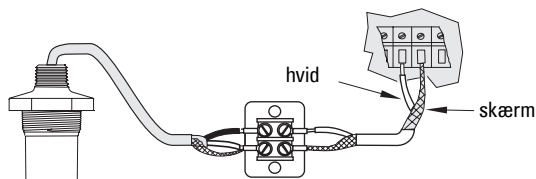
Forbind transduceren direkte til Milltronics transceiveren vha. det afskærmede to-leder-kabel.



Bemærk: Ved tilslutning til en SITRANS LUC500, en MultiRanger 100/200 eller en HydroRanger 200 forbindes den hvide ledning, den sorte ledning og afskærmningsledningen alle separat. Den hvide ledning og afskærmningsledningen MÅ IKKE bindes sammen.

Koaksial forlængelse

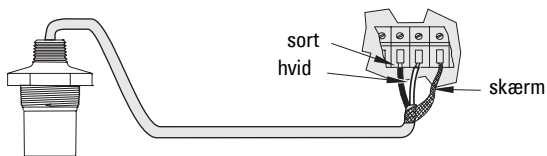
Forbind transduceren til Siemens Milltronics transceiveren via en tilslutningsdåse og RG-62 A/U koaksialkabel. Dette arrangement er effektivt for en samlet afstand på op til 365 m (1200 ft).



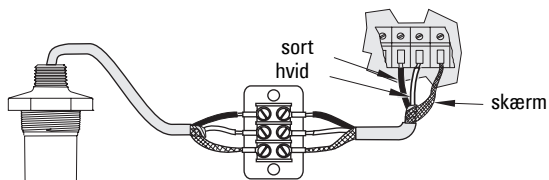
Forlæng kablet vha. RG-62 A/U koaksial

Bemærk: Ved tilslutning til en SITRANS LUC500, MultiRanger 100/200 og HydroRanger 200 må koaksialkabel IKKE BRUGES; jf. den egnede procedure i nedenstående diagram.

3-terminal direkte tilslutning*



3-terminal forlængelse*



Forlæng kablet vha. 0,823 mm² (18 AWG) afskærmet/parsnoet kabel.

* Kun for SITRANS LUC500, MultiRanger 100/200 og HydroRanger 200

ST-H Betriebsanleitung

Diese Betriebsanleitung ist eine Kurzfassung der wesentlichen Merkmale und Funktionen der ST-H Ultraschallsensoren. Das *Applikationshandbuch Ultraschallsensoren* ist auf unserer Webseite verfügbar: www.siemens.com/processautomation. Ein gebundenes Exemplar können Sie von Ihrer örtlichen Siemens Milltronics Vertretung beziehen.

Wenn Sie Fragen haben, wenden Sie sich bitte an:

Siemens Milltronics Process Instruments Inc.
1954 Technology Drive, P.O. Box 4225
Peterborough, Ontario, Kanada, K9J 7B1
E-Mail: techpubs.smpi@siemens.com

**Copyright Siemens Milltronics Process
Instruments Inc. 2004.
All Rights Reserved**

Haftungsausschluss

Wir fordern Benutzer auf, genehmigte, gebundene Betriebsanleitungen zu erwerben oder die von Siemens Milltronics Process Instruments Inc. entworfenen und genehmigten elektronischen Ausführungen zu lesen. Siemens Milltronics Process Instruments Inc. ist für den Inhalt auszugsweiser oder vollständiger Wiedergaben gebundener oder elektronischer Ausführungen nicht verantwortlich.

Wir haben den Inhalt der Druckschrift auf Übereinstimmung mit dem beschriebenen Gerät geprüft. Dennoch können Abweichungen nicht ausgeschlossen werden, so dass wir für die vollständige Übereinstimmung keine Gewähr übernehmen. Die Angaben in dieser Druckschrift werden regelmäßig überprüft, und notwendige Korrekturen sind in den nachfolgenden Auflagen enthalten. Für Verbesserungsvorschläge sind wir dankbar.

Technische Änderungen vorbehalten.

MILLTRONICS ist ein eingetragenes Warenzeichen der Siemens Milltronics Process Instruments Inc.

Sicherheitstechnische Hinweise

Warnhinweise müssen zu Ihrer persönlichen Sicherheit sowie der Sicherheit Dritter und zur Vermeidung von Sachschäden beachtet werden. Zu jedem Warnhinweis wird der jeweilige Gefährungsgrad angegeben.



WARNUNG: bezieht sich auf ein Warnsymbol auf dem Produkt und bedeutet, dass bei Nicht-Einhalt der entsprechenden Vorsichtsmaßnahmen Tod, schwere Körperverletzung und/oder erheblicher Sachschaden eintreten können.



WARNUNG: bedeutet, dass bei Nicht-Einhalt der entsprechenden Vorsichtsmaßnahmen Tod, schwere Körperverletzung und/oder erheblicher Sachschaden eintreten können.

VORSICHT: bedeutet, dass bei Nicht-Einhalt der entsprechenden Vorsichtsmaßnahmen erheblicher Sachschaden eintreten kann.

Hinweis: steht für eine wichtige Information über das Produkt selbst oder den Teil der Betriebsanleitung, auf den besonders aufmerksam gemacht werden soll.

Gerätereparatur und Haftungsausschluss

- Der Anwender ist für alle vom Anwender oder seinem Bevollmächtigten durchgeführten Änderungen und Reparaturen am Gerät verantwortlich.
- Alle neuen Bauteile sind von Siemens Milltronics Process Instruments Inc. bereit zu stellen.
- Reparieren Sie lediglich defekte Bauteile.
- Defekte Bauteile dürfen nicht wiederverwendet werden.

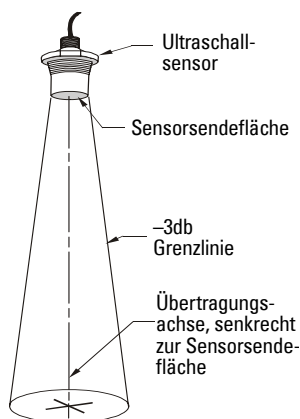
Einführung

Die Ultraschallsensoren der Baureihe ST-H werden zusammen mit Siemens Milltronics Ultraschall-Füllstandmessumformern betrieben.

Der Sensor wandelt die elektrische Energie des Sendepulses vom Messumformer in akustische Energie um. Die akustische Energie des Echos wird dann wieder in elektrische Energie für das Auswertegerät zurückgewandelt.

Die akustische Energie wird von der Sensorendefläche nach außen gestrahlt. Ihre Amplitude nimmt dabei mit einer Geschwindigkeit ab, die zum Quadrat des Abstands umgekehrt proportional ist. Die maximale Leistung erhält man an der sogenannten Übertragungsachse, senkrecht zur Sensorendefläche. An der Stelle, wo die Leistung nur noch halb so groß ist (-3 dB), entsteht ein Kegel, der die Schallkeule definiert und dessen Mittellinie die Übertragungsachse darstellt. Sein Durchmesser entspricht dem Öffnungswinkel.

Die ST-H Sensoren sind mit einem integrierten Temperaturfühler ausgestattet. Dieser meldet dem Auswertegerät die Temperatur am Ultraschallsensor.



Allgemeine Richtlinien



WARNUNG: Die Werkstoffe werden entsprechend ihrer chemischen Beständigkeit (oder Trägheit) für allgemeine Zwecke gewählt. Bei Einsatz in besonderen Umgebungen prüfen Sie vor Installation die chemische Beständigkeit anhand einschlägiger Tabellen.

Hinweis: Dieses Produkt ist für den Einsatz im Industriebereich vorgesehen. Bei Verwendung in Wohngebieten kann es zu Störungen von verschiedenen Funkanwendungen kommen.

Vorschriften bezüglich Installationen in Ex-gefährdeten Bereichen (Europäische ATEX Richtlinie 94/9/EG, Anhang II, 1/0/6)

Folgende Vorschriften finden Anwendung auf die Geräte, die Gegenstand des Zertifikats Nr. BAS 99ATEX2298X sind.

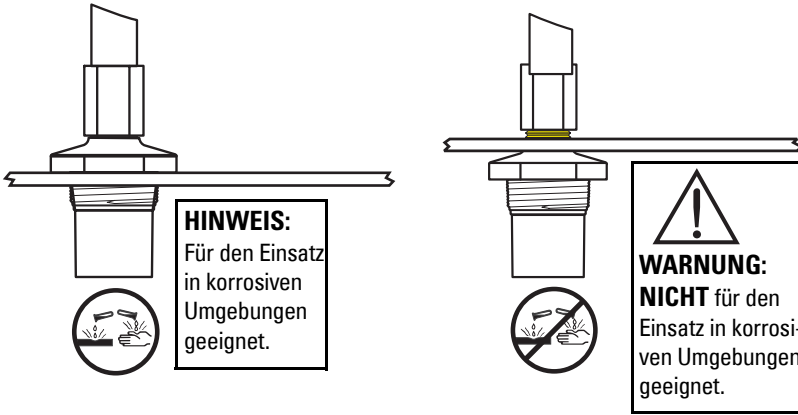
1. Diese Betriebsmittel können mit brennbaren Gasen und Dämpfen mit Betriebsmitteln der Gruppe II und Temperaturklasse T5 eingesetzt werden.
2. Die Zulassung dieser Betriebsmittel gilt für den Einsatz bei Umgebungstemperaturen von -20 °C bis +60 °C.
3. Diese Betriebsmittel werden nicht als Sicherheitsvorrichtung im Sinne der Richtlinie 94/9/EG Anhang II, Klausel 1.5, eingestuft.
4. Die Endung 'X' der Bescheinigung weist auf besondere Einbau- und Einsatzbedingungen hin. Personen, die diese Betriebsmittel installieren oder warten, müssen Zugriff auf den Inhalt der Bescheinigung haben.
5. Der Sensor besitzt keine interne Sicherung oder andere Komponenten, die für einen angenommenen Kurzschlussstrom von 4000A geeignet sind. Der Sensor muss von einem Gerät versorgt werden, dessen möglicher Kurzschlussstrom 4000A nicht überschreitet. Alle Messumformer von Siemens Milltronics erfüllen diese Bedingung.
6. Installation und Prüfung dieser Betriebsmittel dürfen nur durch entsprechend geschultes Personal in Übereinstimmung mit den geltenden Verfahrensregeln (EN 60079-14 und EN 60079-17 in Europa) durchgeführt werden.
7. Die Reparatur dieser Betriebsmittel darf nur durch entsprechend geschultes Personal in Übereinstimmung mit den geltenden Verfahrensregeln (z. B. EN60079-19 in Europa) durchgeführt werden.
8. Ins Gerät einzubauende oder als Ersatzteil zu verwendende Werkstücke müssen durch entsprechend geschultes Personal in Übereinstimmung mit der Dokumentation des Herstellers montiert werden.
9. Die Zertifizierung dieses Geräts beruht auf folgenden verwendeten Werkstoffen:
 - Norton Performance Plastics Chemgrip Dichtmasse
 - ETFE Gehäusewerkstoff
 - PVDF Gehäusewerkstoff
 - Master Bond Polysulphide EP21LPT oder Dow-Corning 3-4207 Vergusswerkstoff
 - Cotronics Durapot 861-F3 Vergusswerkstoff
 - Cotronics Durapot 864 Vergusswerkstoff

Es sind geeignete Maßnahmen zu treffen, um eine Beschädigung des Geräts im Falle eines Kontakts mit aggressiven Stoffen, wie z. B. Lösungen, die polymerische Stoffe angreifen, zu verhindern. Nehmen Sie unbedingt regelmäßige Prüfungen vor und stellen Sie anhand des Werkstoff-Datenblatts sicher, dass der Sensor gegen die in der Applikation verwendeten Chemikalien beständig ist.

Sicherheitsmaßnahmen

Das Gehäuse des ST-H Sensors besteht aus zwei Teilen, die in PVDF oder ETFE gekapselt sind. Die inneren Teile sind in Epoxidharz vergossen. Die Verbindungsstelle zwischen Sockel und Deckel ist nicht hermetisch dicht. Der Sensor kann beschädigt werden, wenn die Verbindungsstelle einer für den Werkstoff Epoxidharz aggressiven Umgebung ausgesetzt wird. Dies kann zum Bruch des Sensors in zwei Hälften führen.

Für Umgebungen, die mit PVDF oder ETFE, aber nicht mit Epoxidharz kompatibel sind, ist der Sensor mit einem Flansch oder Stutzen über das 2" Gewinde am unteren Teil des Sensors einzubauen. Die Verbindungsstelle zwischen oberem und unterem Teil des Sensors muss von der korrosiven Umgebung isoliert werden.



Bei einem Bruch der Sensorhälften wird der unter Spannung stehende Schaltkreis einer explosionsgefährdeten Umgebung ausgesetzt. Damit erhöht sich das Explosionsrisiko, wenn flüchtige oder explosionsgefährdete Stäube oder Gase in ausreichender Konzentration vorhanden sind. Es kann auch zu einer Störung des Füllstandmesssystems kommen, wodurch der Prozess, in dem es angeschlossen ist, beeinträchtigt wird.

Technische Daten

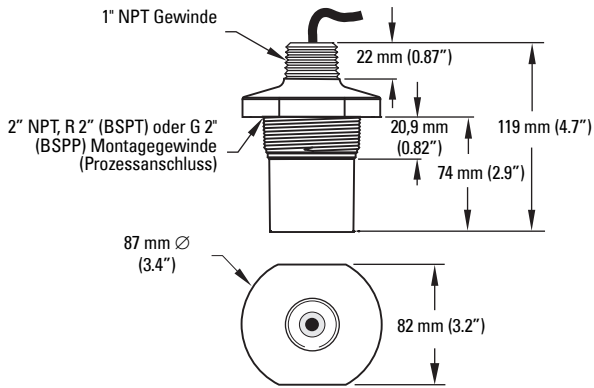
ST-H Ultraschallsensor	
Messbereich	0,3 - 10 m (1 - 33 ft)
Druck	atmosphärischer Druck
Hilfsenergie	Betrieb der Sensoren nur an zugelassenen Siemens Milltronics Auswertegeräten
Frequenz	44 kHz
Öffnungswinkel	12°
Gewicht*	1,4 kg (3 lbs)
Abstand	365 m (1200 ft) vom Messumformer
Umgebungsbedingungen	
Einbauort	innen/im Freien
Höhe	max. 2000 m
Umgebungstemperatur	-20 ... +60 °C (-5 ... +140 °F) (Ausführung mit ATEX Zulassung) -40 ... +73 °C (-40 ... +163 °F) (Ausführung mit CSA/FM Zulassung)
Bauart	
Gehäuse	Sockel und Deckel aus PVDF oder ETFE (Anschlussstelle aus Epoxidharz)**
Montage	2" NPT (kegelig), R 2" (BSPT) oder G 2" (BSPP) Prozessanschluss
Kabel	2-adrig geschirmt/verdrillt, 0,519 mm ² (20 AWG), PVC-Mantel
Optionen	<ul style="list-style-type: none"> • Flanschadapter, siehe zugehörige Anleitungen • Überflutungshülse, siehe zugehörige Anleitungen
Zulassungen	CE***, FM, ATEX, C-TICK, INMETRO, CSA (nur ETFE)

* Ungefähres Versandgewicht des Sensors mit Standardkabellänge.

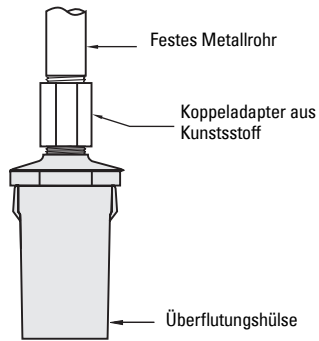
** Bei Applikationen mit Chemikalien ist die Kompatibilität von ETFE oder PVDF und Epoxidharz zu prüfen oder die Verbindungsstelle extern vom Prozess zu montieren.

*** EMV Bescheinigung auf Anfrage erhältlich

Maßbilder

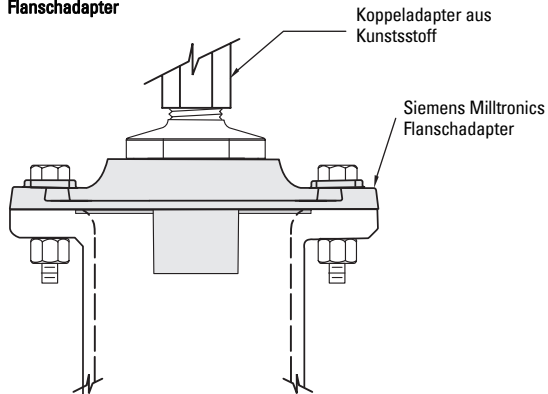


Überflutbar



Sensor mit Überflutungshülse für Applikationen mit Überflutungsgefahr.

Flanschadapter

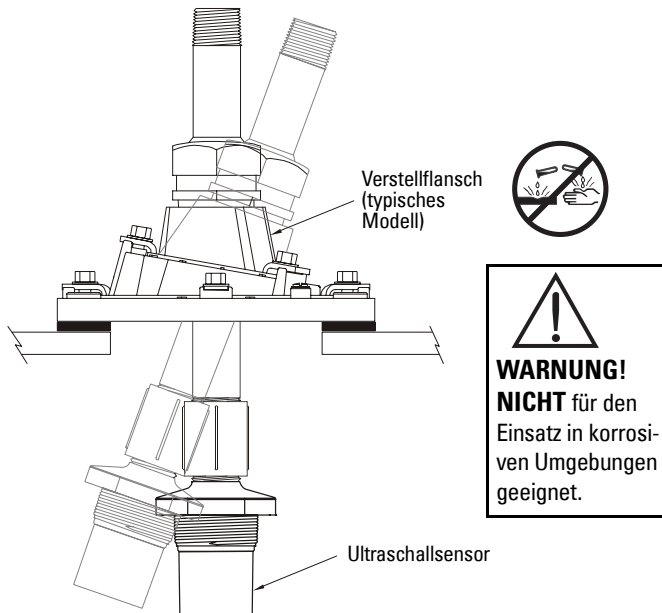


Montage

- Schrauben Sie den Sensor nicht direkt in Metall ein. Verwenden Sie eine Reduziermuffe aus Kunststoff und einen Koppeladapter zur Isolierung (kundenseitig).
- Beachten Sie bei der Sensormontage einen **Mindestabstand zum maximalen Materialfüllstand entsprechend der Nahbereichsausblendung**. Siehe zugehörige Betriebsanleitung des Messumformers.
- Bei Applikationen mit Flüssigkeiten ist der Sensor so anzubringen, dass die Übertragungsachse senkrecht zur Flüssigkeitsoberfläche steht. Bei Behältern mit einem parabolischen Dach kann ein Verstellflansch Typ EA verwendet werden, um die Sensorendefläche senkrecht zur Flüssigkeitsoberfläche zu montieren.
- Verwenden Sie bei Applikationen mit Schüttgütern einen Siemens Milltronics Verstellflansch, um die Ausrichtung des Sensors zu vereinfachen.
- Bei einer Standrohrmontage des Sensors muss die Innenwand des Standrohrs und das Rohrende frei von Schweißnähten und Graten sein.
- Verwenden Sie ggf. einen optionalen Temperaturfühler.
- Nicht zu stark anziehen. Handfest ist ausreichend.

Montage – Applikationen mit Schüttgütern

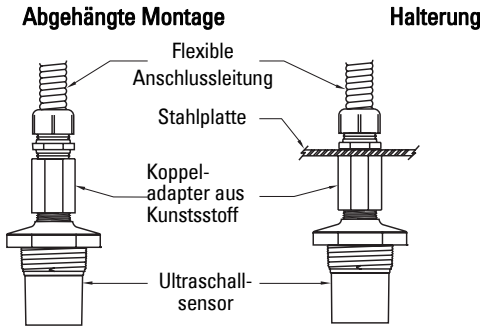
Standardapplikationen



In Applikationen mit Schüttgütern wird der Sensor auf den unteren Abzug ausgerichtet. Verwenden Sie den optionalen Siemens Milltronics Verstellflansch, um die Ausrichtung zu vereinfachen.

Montage – Applikationen mit Flüssigkeiten

Standardapplikationen

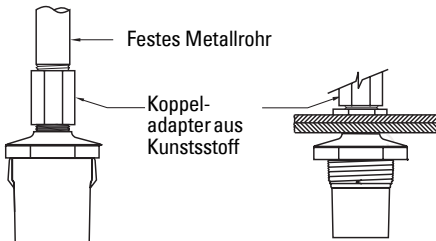


Bei einer abgehängten Montage sollte der Sensor weder Wind, Vibrationen, noch Stößen ausgesetzt werden.



WARNUNG!
NICHT für den Einsatz in korrosiven Umgebungen geeignet.

Überflutbar Sperrholz

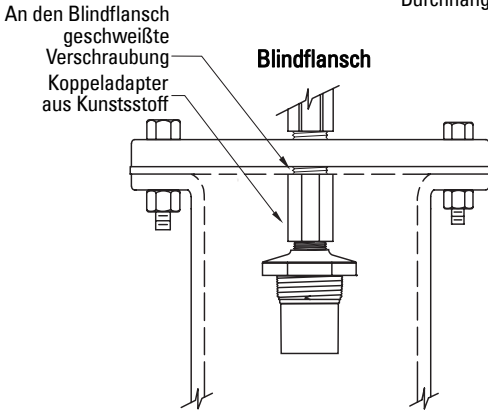


Sensor mit Überflutungshülse für Applikationen mit Überflutungsgefahr.

Eine Sperrholzmontage ergibt eine ausgezeichnete Isolierung, muss aber stabil genug sein, um bei Belastung ein Durchhängen zu vermeiden.



WARNUNG!
NICHT für den Einsatz in korrosiven Umgebungen geeignet.



Flansch, Dichtung und Montagematerial vom Kunden geliefert.



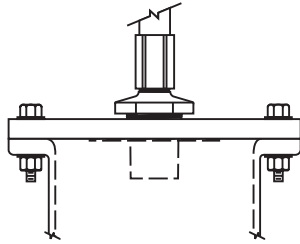
WARNUNG!
NICHT für den Einsatz in korrosiven Umgebungen geeignet.

Deutsch

Montage – Applikationen mit Flüssigkeiten

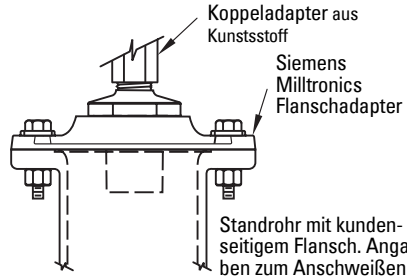
Aggressive Applikationen

Blindflansch



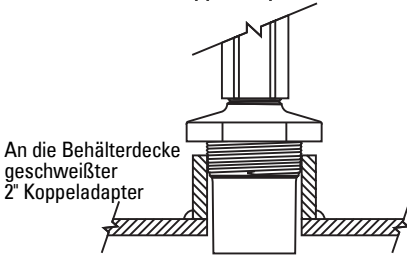
Flansch, Dichtung und Montagematerial vom Kunden geliefert.

Flanschmontage

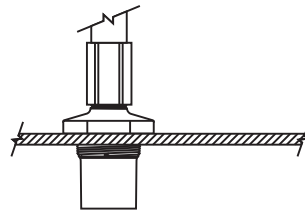


Standrohr mit kundenseitigem Flansch. Angaben zum Anschweißen eines Metallflansches an das Rohr finden Sie im *Applikationshandbuch Ultraschallsensoren*, verfügbar unter www.siemens.com/processautomation.

Koppeladapter



Koppeladapter



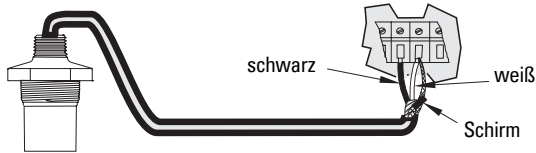
Anschluss

Hinweis: Die Installation darf nur durch qualifiziertes Personal und unter Beachtung der örtlichen, gesetzlichen Bestimmungen durchgeführt werden.

- Zur optimalen Störsicherheit sind die Kabel getrennt von anderen Kabeln (mit Ausnahme des Temperaturfühlers) in einem geerdeten Metallrohr zu verlegen. Erden Sie den Schirm nur am Messumformer. An Verbindungsstellen muss der Schirm isoliert werden, um Erdschleifen zu vermeiden.
- Alle Gewindeanschlüsse sind so abzudichten, dass das Eindringen von Feuchtigkeit verhindert wird.
- Die Kabel sollten nicht offen verlegt werden.
- Vermeiden Sie eine Leitungsführung in der Nähe von Hochspannungs-, Motorleitungen, Schaltschützen oder Frequenzumrichtern (SCR Steuerantriebe).

Direkter Anschluss

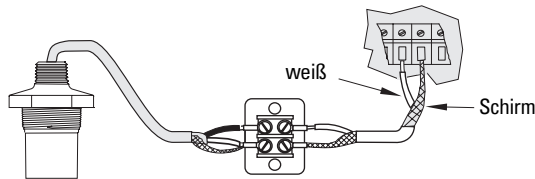
Schließen Sie den Ultraschallsensor über das zwei-adrige, geschirmte Kabel direkt an den Siemens Milltronics Messumformer an.



Hinweis: Bei Anschluss eines SITRANS LUC500, MultiRanger 100/200 oder HydroRanger 200 werden die Drähte weiß, schwarz und Schirm jeweils separat angeschlossen. Der Schirm und der weiße Draht dürfen NICHT verknüpft werden.

Koaxialverlängerung

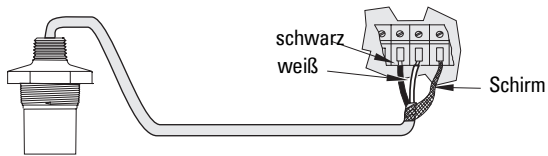
Schließen Sie den Ultraschallsensor über einen Anschlusskasten und ein RG-62 A/U Koaxialkabel an den Siemens Milltronics Messumformer an. Diese Anordnung gilt für eine Gesamtlänge von 365 m (1200 ft).



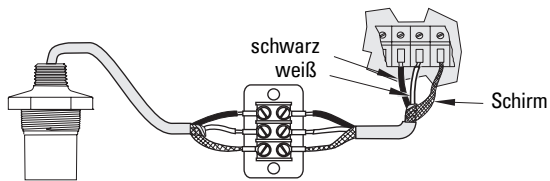
Kabelverlängerung mit RG-62 A/U Koaxialkabel

Hinweis: Bei Anschluss eines SITRANS LUC500, MultiRanger 100/200 oder HydroRanger 200 darf KEIN Koaxialkabel verwendet werden. Siehe Zeichnung unten für die richtige Vorgehensweise.

3 Klemmen, direkt*



3 Klemmen, Verlängerung*



Kabelverlängerung unter Verwendung von geschirmtem Kabel mit verdrehtem Aderpaar, 0,823 mm² (18 AWG).

* Nur für SITRANS LUC500, MultiRanger 100/200 und HydroRanger 200

Εγχειρίδιο λειτουργίας ST-H

Το παρόν εγχειρίδιο περιγράφει τα βασικά χαρακτηριστικά και λειτουργίες των μορφοτροπέων της σειράς ST-H. Το *Εγχειρίδιο εφαρμογών μορφοτροπέων* είναι διαθέσιμο για δωρεάν λήψη από την τοποθεσία μας web: www.siemens.com/processautomation. Έκδοση σε έντυπη μορφή μπορείτε να αγοράσετε από τον τοπικό αντιπρόσωπο της Siemens Milltronics.

Ερωτήσεις σχετικά με τα περιεχόμενα του εγχειριδίου αυτού μπορείτε να απευθύνετε προς τη:

Siemens Milltronics Process Instruments Inc.
1954 Technology Drive, P.O. Box 4225
Peterborough, Ontario, Canada, K9J 7B1
Email: techpubs.smpi@siemens.com

Πνευματικά δικαιώματα: Siemens Milltronics Process Instruments Inc. 2004. Με την επιφύλαξη παντός δικαιώματος	Δήλωση αποποίησης
Παροτρύνουμε τους χρήστες να αγοράζουν εξουσιοδοτημένα έντυπα εγχειρίδια ή να ανατρέχουν σε ηλεκτρονικές εκδόσεις των εγχειριδίων που έχουν δημιουργηθεί και εγκριθεί από τη Siemens Milltronics Process Instruments Inc. Η Siemens Milltronics Process Instruments Inc. δεν φέρει ευθύνη για τα περιεχόμενα των αντιγράφων ολόκληρου ή μέρους του αναπαράχθεντος εγχειριδίου, ανεξάρτητα από το αν πρόκειται για ηλεκτρονική έκδοση ή εκτυπωμένο αντίγραφο.	Παρόλο που έχουμε ελέγξει ότι τα περιεχόμενα του παρόντος εγχειριδίου συμφωνούν με τα όργανα που περιγράφονται, τυχόν διαφοροποιήσεις είναι πιθανές. Επομένως, δεν μπορούν να εγγυηθούμε πλήρη συμφωνία μεταξύ των περιεχομένων του και της συσκευής που αγοράσατε. Τα περιεχόμενα του εγχειριδίου αυτού επανεξετάζονται σε τακτά χρονικά διαστήματα και οι διορθώσεις ενσωματώνονται στις νέες εκδόσεις του. Κάθε πρόταση για τυχόν βελτιώσεις είναι ευπρόσδεκτη. Τα τεχνικά χαρακτηριστικά υπόκεινται σε τροποποιήσεις.

Το MILLTRONICS είναι σήμα κατατεθέν της Siemens Milltronics Process Instruments Inc.

Οδηγίες ασφαλείας

Οι προειδοποιητικές υποδείξεις πρέπει να τηρούνται προκειμένου να διασφαλίζεται η προσωπική σας ασφάλεια και η ασφάλεια τρίτων καθώς και να προστατεύεται το προϊόν και ο συνδεδεμένος με αυτό εξοπλισμός. Οι προειδοποιητικές υποδείξεις συνοδεύονται από μια επεξήγηση σχετικά με το βαθμό της προφύλαξης που πρέπει να λαμβάνεται.



ΠΡΟΕΙΔΟΠΟΙΗΣΗ: σχετίζεται με ένα προειδοποιητικό σύμβολο πάνω στο προϊόν και σημαίνει ότι η μη τήρηση των απαιτούμενων προφυλάξεων μπορεί να προκαλέσει θάνατο, σοβαρό τραυματισμό ή/και σημαντικές υλικές ζημιές.



ΠΡΟΕΙΔΟΠΟΙΗΣΗ: σημαίνει ότι η μη τήρηση των απαιτούμενων προφυλάξεων μπορεί να προκαλέσει θάνατο, σοβαρό τραυματισμό ή/και σημαντικές υλικές ζημιές.

ΠΡΟΣΟΧΗ: σημαίνει ότι η μη τήρηση των απαιτούμενων προφυλάξεων μπορεί να προκαλέσει σημαντικές υλικές ζημιές.

Σημείωση: επισημαίνει σημαντικές πληροφορίες σχετικά με το προϊόν ή με το συγκεκριμένο τμήμα του εγχειριδίου χρήσης.

Επισκευή μονάδας και αποκλειόμενη ευθύνη

- Ο χρήστης είναι υπεύθυνος για όλες τις μετατροπές και επισκευές που πραγματοποιούνται στη συσκευή από το χρήστη ή τον αντιπρόσωπό του.
- Όλα τα καινούργια εξαρτήματα παρέχονται από τη Siemens Milltronics Process Instruments Inc.
- Περιορίστε τις επισκευές μόνο στα ελαττωματικά εξαρτήματα.
- Μην επαναχρησιμοποιείτε ελαττωματικά εξαρτήματα.

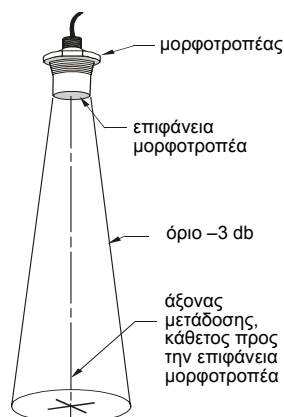
Εισαγωγή

Ο μορφοτροπέας ST-H λειτουργεί σε συνδυασμό με προϊόντα παρακολούθησης στάθμης με υπέρηχους της Siemens Milltronics.

Ο μορφοτροπέας μετατρέπει την ηλεκτρική ενέργεια του παλμού εκπομπής από τον πομποδέκτη σε ηχητική ενέργεια. Στη συνέχεια, μετατρέπει ξανά την ηχητική ενέργεια της ηχούς σε ηλεκτρική ενέργεια για τον ελεγκτή.

Η επιφάνεια του μορφοτροπέα εκπέμπει ηχητική ενέργεια που ακτινοβολείται προς τα έξω, και το πλάτος της οποίας μειώνεται σε ποσοστό αντιστρόφως ανάλογο προς το τετράγωνο της απόστασης. Η μέγιστη ισχύς ακτινοβολείται κάθετα από την επιφάνεια του μορφοτροπέα, πάνω στον άξονα εκπομπής. Στο σημείο όπου η ισχύς μειώνεται κατά το ήμισυ (-3 dB), ένας κωνικά οριοθετημένος χώρος, κεντραρισμένος γύρω από τον άξονα εκπομπής, καθορίζει την ηχητική δέσμη, η διάμετρος της οποίας αποτελεί τη γωνία της δέσμης.

Οι μορφοτροπέες ST-H διαθέτουν ενσωματωμένο αισθητήρα θερμοκρασίας αέρα που μεταδίδει προς τον ελεγκτή τη θερμοκρασία αέρα που μετρείται στο μορφοτροπέα.



Γενικές οδηγίες



ΠΡΟΕΙΔΟΠΟΙΗΣΗ: Τα υλικά κατασκευής έχουν επιλεγεί με βάση τη χημική τους συμβατότητα (ή αδράνεια) για γενική χρήση. Σε ό,τι αφορά την έκθεση σε συγκεκριμένο περιβάλλον, αντιπαραβάλετε με τους πίνακες χημικής συμβατότητας, πριν προχωρήσετε στην εγκατάσταση.

Σημείωση: Το προϊόν αυτό προορίζεται για χρήση σε βιομηχανικό περιβάλλον. Η λειτουργία του παρόντος εξοπλισμού σε κατοικημένη περιοχή ενδέχεται να προκαλέσει παρεμβολές σε ορισμένες ραδιοεπικοινωνίες.

Οδηγίες ειδικά για εγκαταστάσεις σε επικίνδυνες περιοχές (κωδικός ευρωπαϊκής οδηγίας ATEX 94/9/ΕΚ, παράρτημα II, 1/0/6)

Οι παρακάτω οδηγίες ισχύουν για εξοπλισμό που καλύπτεται από το πιστοποιητικό με αριθμό BAS 99ATEX2298X.

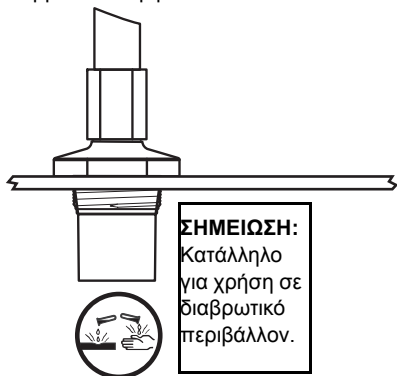
1. Ο εξοπλισμός μπορεί να χρησιμοποιηθεί με εύφλεκτα αέρια και ατμούς με συσκευές της ομάδας II και κατηγορίας θερμοκρασιών T5.
2. Ο εξοπλισμός έχει πιστοποιηθεί για χρήση σε περιοχή θερμοκρασιών περιβάλλοντος από - 20 έως +60° C.
3. Ο εξοπλισμός δεν έχει αξιολογηθεί ως συσκευή που σχετίζεται με την ασφάλεια, όπως αναφέρεται στην Οδηγία 94/9/ΕΚ, Παράρτημα II, παράγραφος 1.5.
4. Το πιστοποιητικό έχει ένα πρόθεμα 'X', που επισημαίνει ότι ισχύουν ειδικές συνθήκες εγκατάστασης και χρήσης. Τα άτομα που εγκαθιστούν ή επιθεωρούν τον παρόντα εξοπλισμό πρέπει να έχουν πρόσβαση στα περιεχόμενα του πιστοποιητικού.
5. Ο μορφοτροπέας δεν διαθέτει εσωτερική ασφάλεια ούτε άλλα εξαρτήματα που εγγυώνται την καταλληλότητά του ως προς τη σύνδεση με πιθανό ρεύμα βραχυκυκλώματος των 4000 Α. Ο μορφοτροπέας πρέπει να τροφοδοτείται από συσκευή κατάλληλη για σύνδεση με τροφοδοσία που έχει πιθανό ρεύμα βραχυκυκλώματος που δεν υπερβαίνει τα 4000 Α. Οι συνθήκες αυτές πληρούνται από τους πομποδέκτες Siemens Milltronics.
6. Η εγκατάσταση και η επιθεώρηση του παρόντος εξοπλισμού θα πρέπει να πραγματοποιείται από κατάλληλα εκπαιδευμένο προσωπικό, σύμφωνα με τον εφαρμοστέο κώδικα πρακτικής (EN 60079-14 και EN 60079-17 στην Ευρώπη).
7. Η επισκευή του παρόντος εξοπλισμού θα πρέπει να πραγματοποιείται από κατάλληλα εκπαιδευμένο προσωπικό, σύμφωνα με τον εφαρμοστέο κώδικα πρακτικής (π.χ. EN 60079-19 στην Ευρώπη).
8. Εξαρτήματα που πρόκειται να ενσωματωθούν στον εξοπλισμό ή να χρησιμοποιηθούν ως ανταλλακτικά πρέπει να τοποθετούνται από κατάλληλα εκπαιδευμένο προσωπικό, σύμφωνα με την τεκμηρίωση του κατασκευαστή.
9. Η πιστοποίηση του παρόντος εξοπλισμού στηρίζεται στα εξής υλικά που χρησιμοποιήθηκαν για την κατασκευή του:
 - Ένωση συγκόλλησης Norton Performance Plastics Chemgrip
 - Υλικό περιβλήματος ETFE
 - Υλικό περιβλήματος PVDF
 - Ενθυλακωτικό Master Bond Polysulphide EP21LPT ή Dow-Corning 3-4207
 - Ενθυλακωτικό Cotronics Durapot 861-F3
 - Ενθυλακωτικό Cotronics Durapot 864

Αν είναι πιθανόν να έλθει ο εξοπλισμός σε επαφή με διαβρωτικές ουσίες, όπως διαλύτες που μπορεί να επιδράσουν σε πολυμερή υλικά, τότε συνιστά ευθύνη του χρήστη να λάβει τις κατάλληλες προφυλάξεις για να αποφευχθεί τυχόν ανεπανόρθωτη βλάβη του εξοπλισμού. Είναι σημαντικό να πραγματοποιούνται τακτικοί έλεγχοι και να τεκμηριώνεται από το φύλλο δεδομένων των υλικών ότι ο μορφοτροπέας παρουσιάζει αντοχή στις χημικές ουσίες που χρησιμοποιούνται στην εφαρμογή.

Προφυλάξεις ασφαλείας

Το σώμα του μορφοτροπέα ST-H αποτελείται από δύο χυτά μέρη PVDF ή ETFE με εσωτερικά τμήματα που είναι τοποθετημένα μέσα σε εποξική ρητίνη. Η ένωση ανάμεσα στο επάνω και το κάτω τμήμα δεν είναι ερμητικά στεγανοποιημένη. Η δομική ακεραιότητα του μορφοτροπέα διακυβεύεται σε περίπτωση που η ένωση εκτεθεί σε περιβάλλον που προσβάλλει τις εποξικές ρητίνες. Αποτέλεσμα θα είναι η απόσπαση του επάνω τμήματος από το κύριο σώμα του μορφοτροπέα.

Σε περιβάλλοντα που είναι συμβατά με PVDF ή ETFE τα οποία όμως διαβρώνουν τις εποξικές ρητίνες, ο μορφοτροπέας πρέπει να τοποθετείται με τη βοήθεια φλάντζας ή στελέχους με χρήση του σπειρώματος 2" στο κάτω τμήμα του μορφοτροπέα. Η ένωση ανάμεσα στο πάνω και το κάτω τμήμα του μορφοτροπέα πρέπει να μονώνεται από το διαβρωτικό περιβάλλον.



Αν το επάνω τμήμα αποχωριστεί από το κύριο σώμα του μορφοτροπέα, κυκλώματα που είναι υπό τάση θα εκτεθούν σε επικίνδυνο περιβάλλον, μεγαλώνοντας τον κίνδυνο έκρηξης, σε περίπτωση που η συγκέντρωση πτητικών ή εκρηκτικών κόνεων ή αερίων ανέρχεται σε επαρκή βαθμό. Επίσης, ενδέχεται να παρουσιαστεί δυσλειτουργία του συστήματος παρακολούθησης στάθμης, που μπορεί να επηρεάσει τη διεργασία που χρησιμοποιεί το σύστημα μέτρησης με υπέρηχους.

Προδιαγραφές

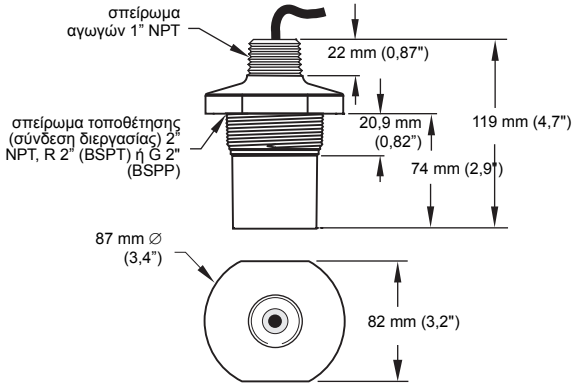
Μορφοτροπέας ST-H	
Φάσμα τιμών μέτρησης	0,3 - 10 m (1 - 33 ft)
Πίεση	αναπνοή
Πηγή τροφοδοσίας	ο μορφοτροπέας θα πρέπει να τροφοδοτείται μόνο από ελεγκτή που έχει πιστοποιηθεί από τη Siemens Milltronics
Συχνότητα	44 kHz
Γωνία δέσμης	12°
Βάρος*	1,4 kg (3 lbs)
Απόσταση διαχωρισμού	365 m (1200 ft) από τον πομποδέκτη
Στοιχεία περιβάλλοντος	
Θέση	σε εσωτερικό χώρο/ εξωτερικό χώρο
Υψόμετρο	2000 m (το ανώτατο)
Θερμοκρασία περιβάλλοντος	-20 έως +60° C (-5 έως +140 °F) (μοντέλο με έγκριση ATEX) -40 έως +73° C (-40 έως +163 °F) (μοντέλο με έγκριση CSA/FM)
Κατασκευή	
Περιβλημα	Βάση και καπάκι PVDF ή ETFE (ένωση σε εποξική ρητίνη)**
Τοποθέτηση	σύνδεση διεργασίας 2" NPT (κωνική), R 2" (BSPT) ή G 2" (BSPP)
Καλώδιο	δισύρματο θωρακισμένο/συνεστραμμένο, 0,519 mm ² (20 AWG), περίβλημα PVC
Επιλογές	<ul style="list-style-type: none">φλαντζωτός προσαρμογέας, ανατρέξτε στις σχετικές οδηγίεςσύνδεσμος εμβάπτισης, ανατρέξτε στις σχετικές οδηγίες
Εγκρίσεις	CE***, FM, ATEX, C-TICK, INMETRO, CSA (ETFE μόνο)

* Προσεγγιστικό βάρος αποστολής του μορφοτροπέα με σύνθετες μήκος καλωδίου.

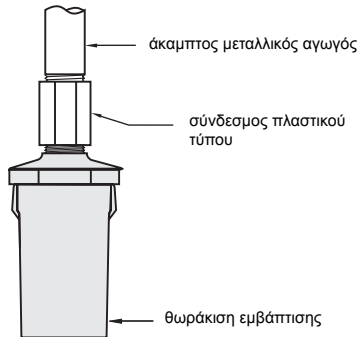
** Σε χημικές εφαρμογές να ελέγχετε τη συμβατότητα του ETFE ή του PVDF και της εποξικής ρητίνης, ή να τοποθετείτε ένωση εκτός της διεργασίας.

*** Επιδόσεις κατόπιν αίτησης.

Διάγραμμα και διαστάσεις



Με δυνατότητα εμβάπτισης



Μορφοτροπέας με δυνατότητα εμβάπτισης, χρησιμοποιείται σε εφαρμογές όπου υπάρχει πιθανότητα υπερπλήρωσης.

Φλαντζωτός προσαρμογέας

σύνδεσμος πλαστικού τύπου

φλαντζωτός προσαρμογέας Siemens Milltronics

ΕΛΛΗΝΙΚΑ

7ML19985QK82

Μορφοτροπέας ST-H – ΕΓΧΕΙΡΙΔΙΟ ΛΕΙΤΟΥΡΓΙΑΣ

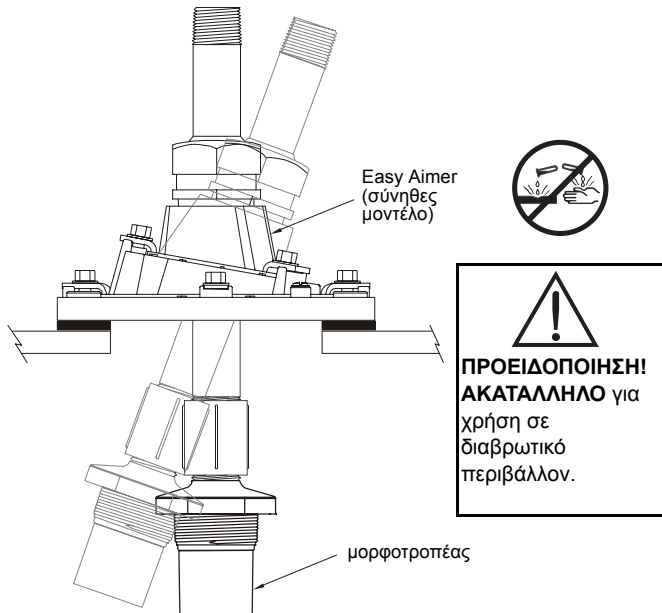
Σελίδα EL-7

Τοποθέτηση

- Μην τοποθετείτε το μορφοτροπέα απευθείας πάνω σε μέταλλο. Χρησιμοποιήστε σύνδεσμος πλαστικού τύπου και μούφα για τη μόνωση (παρέχονται από τον πελάτη).
- Τοποθετήστε το μορφοτροπέα κατά τέτοιον τρόπο, ώστε να βρίσκεται **πάνω από τη μέγιστη στάθμη υλικού τουλάχιστον κατά την τιμή νεκρής ζώνης**. Ανατρέξτε στο εγχειρίδιο του σχετικού ελεγκτή.
- Σε εφαρμογές υγρών, ο μορφοτροπέας πρέπει να τοποθετείται κατά τέτοιον τρόπο, ώστε ο άξονας εκπομπής να είναι κάθετος προς την επιφάνεια του υγρού. Σε δεξαμενές με παραβολική κορυφή, μπορεί να χρησιμοποιηθεί ένα Easy Aimer για την κατακόρυφη τοποθέτηση της επιφάνειας του μορφοτροπέα ως προς την επιφάνεια του υγρού.
- Σε εφαρμογές στερεών, χρησιμοποιήστε το Easy Aimer της Siemens Milltronics για τη στόχευση του μορφοτροπέα.
- Όταν ο μορφοτροπέας τοποθετείται σε κατακόρυφο σωλήνα, η εσωτερική επιφάνεια και το άκρο του κατακόρυφου σωλήνα πρέπει να είναι λεία, χωρίς γρέζια, ραβδώσεις ή ραφές.
- Χρησιμοποιήστε τον προαιρετικό αισθητήρα θερμοκρασίας όταν τοποθετείτε το μορφοτροπέα.
- Μην σφίγγετε υπερβολικά. Αρκεί η σύσφιξη των υλικών τοποθέτησης με το χέρι.

Τοποθέτηση – Εφαρμογές στερεών

Εφαρμογές σε μη διαβρωτικό περιβάλλον

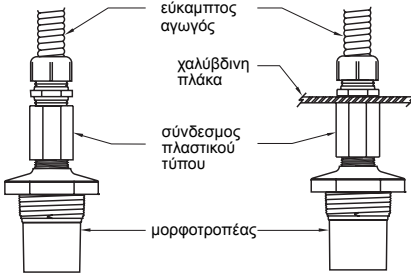


Σε εφαρμογές στερεών, τοποθετήστε το μορφοτροπέα κατά τέτοιον τρόπο, ώστε να στοχεύει προς το σημείο άντλησης χαμηλής στάθμης. Χρησιμοποιήστε το προαιρετικό Easy Aimer της Siemens Milltronics για να διευκολυνθεί η τοποθέτησή.

Τοποθέτηση – Εφαρμογές υγρών

Εφαρμογές σε μη διαβρωτικό περιβάλλον

Εύκαμπτος αγωγός

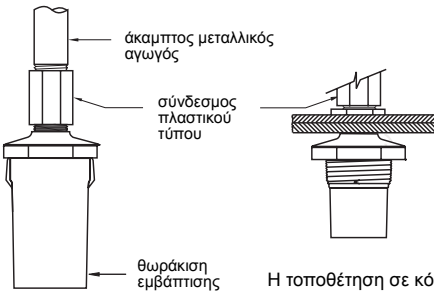


Ο μορφοτροπέας που είναι τοποθετημένος σε εύκαμπτο αγωγό δεν θα πρέπει να υποβάλλεται σε αέρα, κραδασμούς ή κτυπήματα

Βραχίονας στήριξης



Με δυνατότητα εμβάπτισης

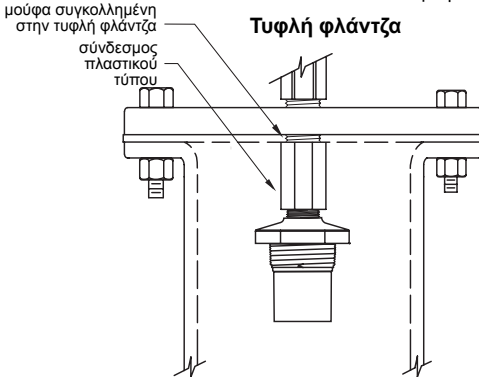


Μορφοτροπέας με δυνατότητα εμβάπτισης, χρήση σε εφαρμογές όπου υπάρχει πιθανότητα υπερπλήρωσης.

Κόντρα πλακέ



Η τοποθέτηση σε κόντρα πλακέ παρέχει άριστη μόνωση, πρέπει όμως να είναι επαρκώς άκαμπτη, ώστε να αποφευχθεί ενδεχόμενη κάμψη σε περίπτωση που υποβληθεί σε φορτίο.



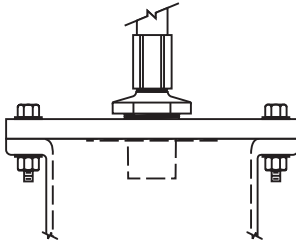
Η φλάντζα, το παρέμβυσμα και τα υλικά τοποθέτησης παρέχονται από τον πελάτη.



Τοποθέτηση – Εφαρμογές υγρών

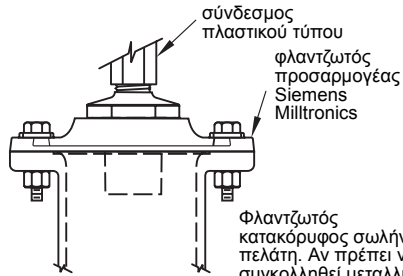
Εφαρμογές σε διαβρωτικό περιβάλλον

Τυφλή φλάντζα



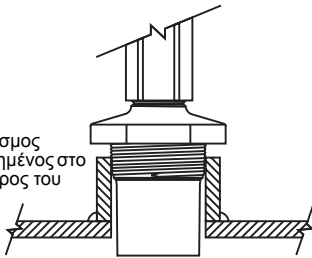
Η φλάντζα, το παρέμβυσμα και τα υλικά τοποθέτησης παρέχονται από τον πελάτη.

Φλαντζωτού τύπου



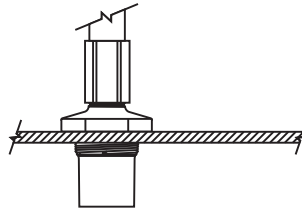
Φλαντζωτός κατακόρυφος σωλήνας πελάτη. Αν πρέπει να συγκολληθεί μεταλλική φλάντζα στο σωλήνα, ανατρέξτε στο *Εγχειρίδιο εφαρμογών μορφοτροπέων*, που διατίθεται στη διεύθυνση www.siemens.com/processautomation.

Σύνδεσμος



2" σύνδεσμος συγκολλημένος στο πάνω μέρος του δοχείου

Σύνδεσμος



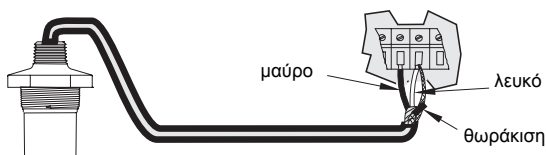
Διασύνδεση

Σημείωση: Η εγκατάσταση πρέπει να πραγματοποιείται από εξειδικευμένο προσωπικό και σύμφωνα με τους κατά τόπους ισχύοντες κανονισμούς.

- Για μέγιστη μόνωση από ηλεκτρικούς θορύβους, τοποθετήστε το καλώδιο ξεχωριστά, μέσα σε γειωμένο μεταλλικό αγωγό χωρίς άλλη καλωδίωση (με εξαίρεση τον αισθητήρα θερμοκρασίας). Γειώστε μόνο τη θωράκιση στον πομποδέκτη. Μονώστε τη θωράκιση στις ενώσεις, για να αποφευχθεί η τυχαία σύνδεση με τη γείωση.
- Στεγανοποιήστε όλες τις σπειροτομημένες συνδέσεις για να αποφευχθεί η διείσδυση υγρασίας.
- Μην αφήνετε το καλώδιο ακάλυπτο.
- Μην τοποθετείτε το καλώδιο κοντά σε υψηλές τάσεις ή ρεύματα, ασφαλειοδιακόπτες και οδηγούς ελέγχου SCR.

Απευθείας σύνδεση

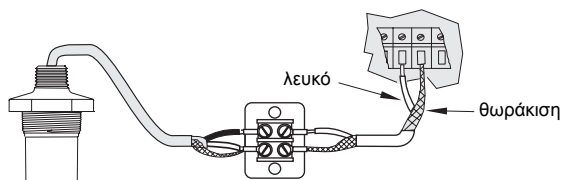
Συνδέστε το μορφοτροπέα απευθείας με τον πομποδέκτη Milltronics χρησιμοποιώντας το δισύρματο θωρακισμένο καλώδιο.



Σημείωση: Κατά τη σύνδεση σε SITRANS LUC500, MultiRanger 100/200 ή HydroRanger 200, το λευκό, το μαύρο και το θωρακισμένο σύρμα συνδέονται ξεχωριστά. ΜΗΝ συνδέετε το λευκό με το θωρακισμένο σύρμα.

Ομοαξονική επέκταση

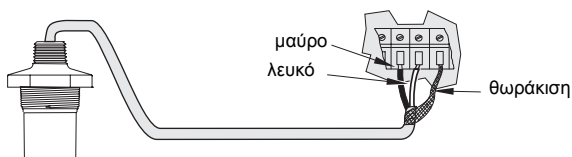
Συνδέστε το μορφοτροπέα με πομποδέκτη Siemens Milltronics χρησιμοποιώντας ένα κουτί διακλάδωσης και το ομοαξονικό καλώδιο RG-62 A/U. Η διάταξη αυτή είναι κατάλληλη για συνδυαστικές περιπτώσεις έως 365 m (1200 ft).



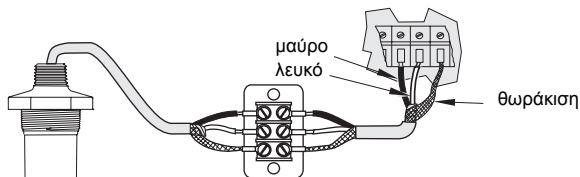
Καλώδιο επέκτασης με χρήση RG-62 A/U coax

Σημείωση: Κατά τη σύνδεση με SITRANS LUC500, MultiRanger 100/200 και HydroRanger 200, ΜΗΝ χρησιμοποιείτε ομοαξονικό καλώδιο, αλλά ανατρέξτε στο παρακάτω διάγραμμα για τη σωστή διαδικασία.

Απευθείας με 3 ακροδέκτες*



Επέκταση με 3 ακροδέκτες*



Καλώδιο επέκτασης με χρήση θωρακισμένου/συνεστραμμένου ζεύγους 0,823 mm² (18 AWG)

* Για SITRANS LUC500, MultiRanger 100/200 και HydroRanger 200 μόνο

Manual del usuario ST-H

Este manual describe las principales características y funciones de los sensores ST-H. En nuestra página de internet puede descargar la *Guía de aplicación de los sensores*: www.siemens.com/processautomation. Puede pedir una versión impresa contactando con un representante local de Siemens Milltronics.

Para más informaciones acerca de este manual contacte:

Siemens Milltronics Process Instruments Inc.
1954 Technology Drive, P.O. Box 4225
Peterborough, Ontario, Canadá, K9J 7B1
E-mail: techpubs.smpi@siemens.com

Copyright Siemens Milltronics Process Instruments Inc. 2004.

Todos los derechos reservados

Exención de responsabilidad

Recomendamos a nuestros usuarios obtengan copias impresas de la documentación o consulten las versiones digitales diseñadas y comprobadas por Siemens Milltronics Process Instruments Inc. En ningún caso será Siemens Milltronics Process Instruments Inc. responsable de reproducciones totales o parciales de la documentación, ya sea de versiones impresas o electrónicas.

Nosotros hacemos todo lo necesario para garantizar la conformidad del contenido de este manual con el equipo proporcionado. Sin embargo, estas informaciones quedan sujetas a cambios. SMPI no asume responsabilidad alguna por omisiones o diferencias. Examinamos y corregimos el contenido de este manual regularmente y nos esforzamos en proporcionar publicaciones cada vez más completas. No dude en contactarnos si tiene preguntas o comentarios.

Las especificaciones están sujetas a cambios.

MILLTRONICS es una marca registrada de Siemens Milltronics Process Instruments Inc.

Indicaciones de seguridad

Es imprescindible respetar las indicaciones de seguridad para una utilización sin peligro alguno para el usuario, el personal, el producto y los equipos conectados a éste. Por motivos de claridad expositiva en los textos de indicación y de precaución se destaca el nivel de precaución necesario para cada intervención.



ADVERTENCIA: información que se refiere a un marcado colocado en el producto. Significa que al no observar las precauciones de seguridad se puede producir la muerte, lesiones corporales graves o daños materiales considerables.



ADVERTENCIA: significa que al no observar las precauciones de seguridad se puede producir la muerte, lesiones corporales graves o daños materiales considerables.

PRECAUCIÓN: significa que al no observar las precauciones de seguridad se pueden producir daños materiales considerables.

Importante: es una información importante acerca del producto mismo o de la parte respectiva del manual, al cual se debe atender especialmente.

Reparaciones y límite de responsabilidad

- El usuario es el único responsable de las modificaciones y reparaciones en el dispositivo efectuadas por él mismo o por su agente.
- Recomendamos utilizar sólo recambios originales Siemens Milltronics Process Instruments Inc.
- Reparar sólo los componentes defectuosos.
- No reutilizar los componentes defectuosos.

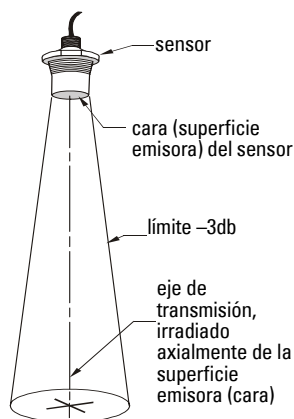
Introducción

El sensor ultrasónico ST-H se utiliza con un transmisor de nivel Siemens Milltronics.

El sensor convierte la energía eléctrica de la pulsación emitida por el emisor receptor en energía acústica, y convierte la energía acústica del eco de retorno en energía eléctrica, para el transmisor.

La energía acústica efectiva se genera en la cara del sensor y es radiada hacia afuera, disminuyendo en amplitud con un cociente inversamente proporcional al cuadrado de la distancia. La potencia máxima es irradiada axialmente (perpendicular) de la cara del sensor en una línea que se conoce como el eje de transmisión. Cuando la potencia se reduce a la mitad (-3 dB) se forma un límite cónico que define el haz sonoro. La medida de diámetro de éste cono en grados se define como el ángulo de emisión.

Los sensores ST-H incorporan un sensor de temperatura, que informa al transmisor de la temperatura del aire en el sensor ultrasónico.



Indicaciones generales



ADVERTENCIA: Los materiales de construcción son seleccionados en base a su compatibilidad química (o inerteza) para usos generales. Antes de instalar los sensores en ambientes específicos recomendamos consulte las tablas de compatibilidad química.

Importante: Este aparato se ha diseñado para el uso en ámbito industrial. El uso de este aparato en instalaciones residenciales puede causar interferencias a las comunicaciones por radio.

Instrucciones específicas relativas a instalaciones en emplazamientos peligrosos

(Directiva Europea ATEX 94/9/CE, Anexo II, 1/0/6)

Estas instrucciones se refieren a los instrumentos cubiertos por el certificado número BAS 99ATEX2298X.

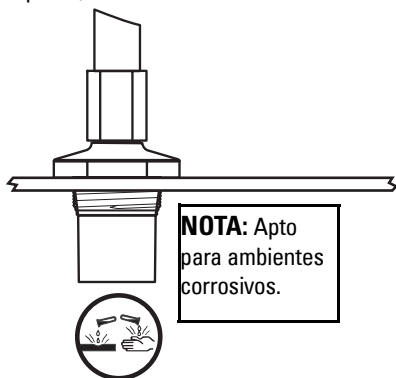
1. El sensor puede ser utilizado en zonas con gases y vapores inflamables, con aparatos del Grupo II y clase de temperatura T5.
2. Estos sensores pueden soportar temperaturas ambientes de -20 °C a +60 °C.
3. El sensor no se ha analizado como sistema de protección, como se indica en la Directiva 94/9/CE Anexo II, cláusula 1,5.
4. El sufijo 'X' en el número de certificado indica condiciones de instalación específicas. El personal responsable de la instalación y la verificación del aparato debe tener acceso al contenido del certificado.
5. El sensor no dispone de fusible interno o de componentes diseñados para soportar corrientes de cortocircuito de 4000A. El sensor deberá ser alimentado por aparatos diseñados para soportar conexiones con una fuente cuya corriente de cortocircuito no exceda 4000A. Los transmisores de nivel Siemens Milltronics cumplen con este requisito.
6. La instalación y la verificación de este aparato deberá efectuarse por personal calificado en conformidad con los códigos de práctica aplicables (EN 60079-14 y EN 60079-17 en Europa).
7. La reparación de este sensor deberá realizarse por personal calificado en conformidad con los códigos de práctica aplicables (EN 60079-19 en Europa).
8. La integración de componentes o la sustitución de parte del instrumento deberá realizarse por personal calificado en conformidad con las indicaciones en la documentación del fabricante.
9. La certificación de este instrumento se basa en la utilización de los siguientes materiales de construcción:
 - Mezcla adhesiva Chempgrip de Norton Performance Plastics
 - Material de la caja ETFE
 - Material de la caja PVDF
 - Encapsulante Master Bond Polysulphide EP21LPT o Dow-Corning 3-4207
 - Encapsulante Durapot 861-F3 de Cotronics
 - Encapsulante Durapot 864 de Cotronics

El usuario es responsable de tomar las precauciones necesarias para evitar el daño del aparato y garantizar el nivel de protección obtenido, si existe la posibilidad de que esté en contacto con productos agresivos. Es necesario efectuar inspecciones regulares y consultar las especificaciones de los materiales para determinar la resistencia química del sensor.

Precauciones de seguridad

La construcción del sensor ST-H consta de dos componentes moldeados (PVDF o EFTE) con componentes internos encapsulados en epoxi. La junta entre la sección superior/inferior no garantiza la hermeticidad. La exposición de la junta a un ambiente capaz de degradar el epoxi puede comprometer la integridad del sensor ultrasónico. Esto puede provocar la separación de la sección superior del cuerpo del sensor.

Algunos ambientes compatibles con el PVDF o EFTE pueden degradar el epoxi. Se recomienda efectuar el montaje colocando una brida o un adaptador roscado (2") en la sección inferior del sensor. Es imprescindible garantizar el aislamiento adecuado de la junta entre la sección superior/inferior en ambientes corrosivos.



La separación de la sección superior del cuerpo del sensor supone la exposición del circuito eléctrico al entorno peligroso y aumenta el riesgo de explosiones si el ambiente presenta concentraciones suficientes de polvos o de gases. Esto puede provocar averías en el sistema de medida de nivel, con consecuencias para el aparato ultrasónico.

Datos técnicos

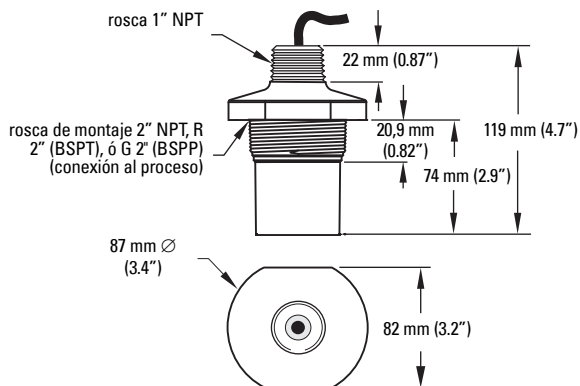
Sensor ST-H	
Rango de medida	0,3 - 10 m (1 - 33 ft)
Presión	Atmosférica
Alimentación eléctrica	El sensor sólo puede funcionar conectado a un transmisor Siemens Milltronics
Frecuencia	44 kHz
Ángulo de haz	12°
Peso*	1,4 kg (3 lbs)
Separación	365 m (1200 ft) del transmisor
Condiciones ambientales	
Ubicación	Montaje interior / a prueba de intemperie
Altitud	Máximo 2000 m
Temperatura ambiente	-20 ... +60 °C (-5 ... +140 °F) (versión con homologación ATEX) -40 ... +73 °C (-40 ... +163 °F) (versiones con homologación CSA/FM)
Características constructivas	
Caja	Base y tapa de PVDF o ETFE (junta epoxi)**
Montaje	Conexión al proceso 2" NPT (cónica), R 2" (BSPT), ó G 2" (BSPP)
Cable de conexión	Cable de 2 conductores trenzado/apantallado. 0,519 mm ² (20 AWG), cubierta de PVC
Opciones	<ul style="list-style-type: none"> • adaptador de brida (ver las instrucciones) • vaina anti inundación (ver las instrucciones)
Homologaciones	CE***, FM, ATEX, C-TICK, INMETRO, CSA (ETFE únicamente)

* Peso de transporte aproximado del sensor con cable, longitud estándar.

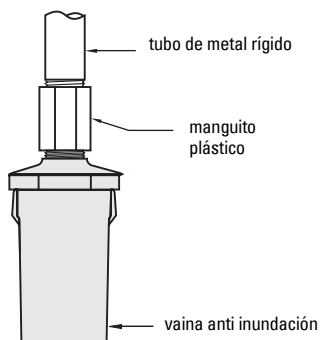
** Comprobar la compatibilidad química del material (ETFE o PVDF) o instalar la junta fuera del proceso.

*** Certificado relativo a CEM disponible bajo demanda.

Esquema de dimensiones

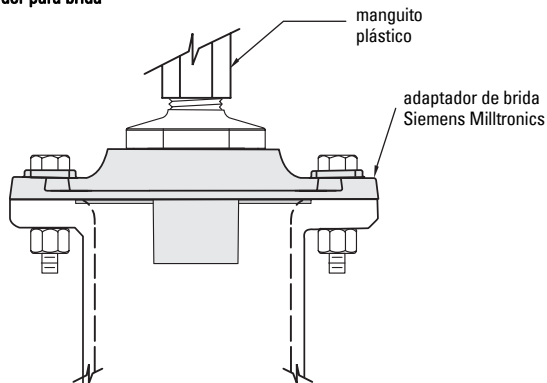


Vaina anti-inundación



Sensor con vaina anti inundación para aplicaciones con riesgo de inmersión.

Adaptador para brida

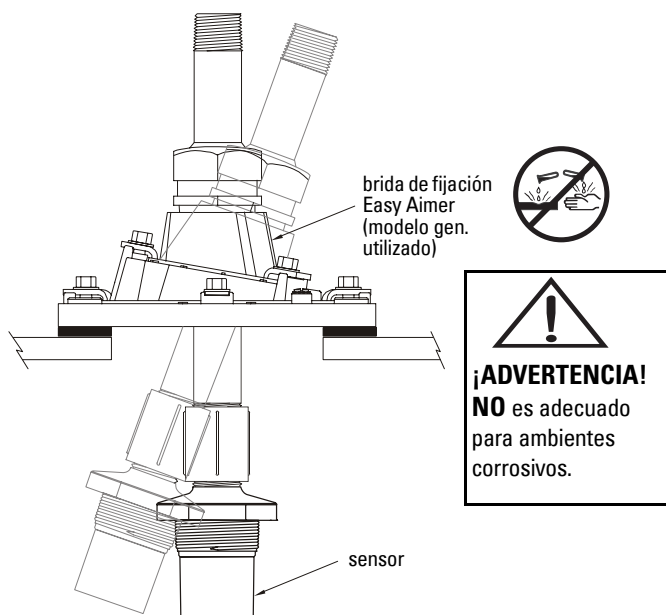


Montaje

- Evitar el contacto directo del sensor con superficies metálicas durante el montaje. Utilizar un acoplamiento en plástico y un manguito de aislamiento (suministrado por el cliente).
- Instalar el sensor a una distancia **por lo menos equivalente a la zona muerta, por encima del nivel más alto de material**. Ver el manual de instrucciones del controlador/transmisor.
- En aplicaciones con líquidos, montar el sensor para que el eje de transmisión sea perpendicular a la superficie del líquido. En tanques con techo parabólico se puede utilizar la brida de fijación Easy Aimer para mantener la superficie emisora del sensor perpendicular a la superficie del líquido.
- En aplicaciones con sólidos, orientar el sensor con la brida de fijación Easy Aimer Siemens Milltronics.
- Para montar el sensor en un tubo vertical comprobar la ausencia de costuras y puntos de soldeo en la superficie interior.
- Se recomienda utilizar el sensor ultrasónico con el sensor de temperatura opcional.
- No apretar excesivamente durante el montaje. Apretar el material de montaje manualmente.

Montaje - Aplicaciones con sólidos

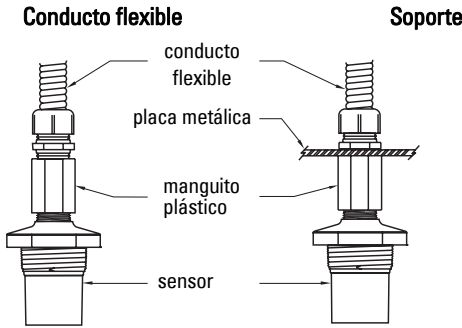
Aplicaciones con materiales no corrosivos



En aplicaciones con sólidos, el sensor se debe montar orientado hacia el punto de vaciado. Para facilitar el montaje utilizar la brida de fijación opcional Easy Aimer Siemens Milltronics.

Montaje - Aplicaciones con líquidos

Aplicaciones con materiales no corrosivos

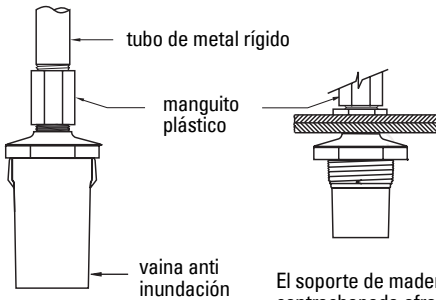


El sensor montado con un conducto flexible no se debe exponer al viento o a vibraciones.



¡ADVERTENCIA!
NO es adecuado para ambientes corrosivos.

Vaina anti inundación

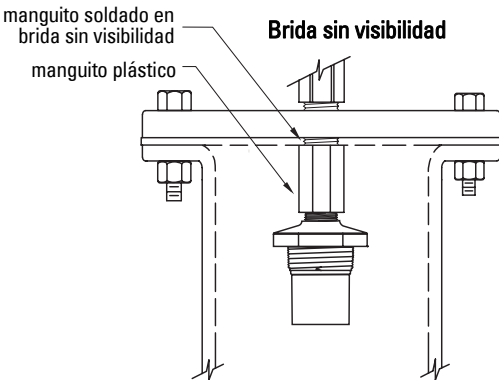


Sensor con protección contra inundación para aplicaciones con riesgo de inmersión.

El soporte de madera contrachapada ofrece un excelente aislamiento (debe ser rígido).



¡ADVERTENCIA!
NO es adecuado para ambientes corrosivos.



Brida, junta y material proporcionado por el cliente.

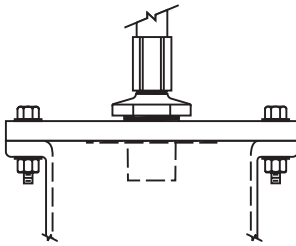


¡ADVERTENCIA!
NO es adecuado para ambientes corrosivos.

Montaje - Aplicaciones con líquidos

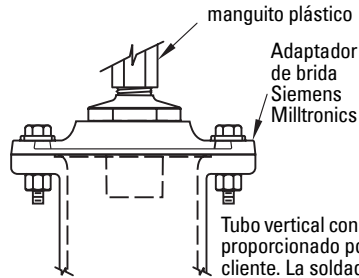
Aplicaciones con materiales corrosivos

Brida sin visibilidad



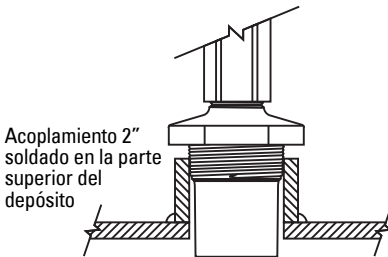
Brida, junta y material proporcionado por el cliente.

Montaje con brida



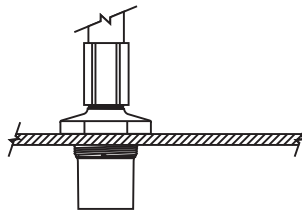
Tubo vertical con brida proporcionado por el cliente. La soldadura de una brida metálica al tubo está descrita en el *Manual de aplicación del sensor* disponible en www.siemens.com/processautomation

Acoplamiento



Acoplamiento 2" soldado en la parte superior del depósito

Acoplamiento



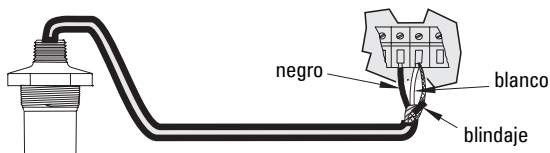
Interconexiones

Nota: Sólo el personal cualificado está autorizado a intervenir en este equipo para la instalación. Observar las indicaciones y los procedimientos de seguridad.

- Instalar los cables separadamente en tuberías metálicas conectadas a tierra (excepto el sensor de temperatura), para tener mayor inmunidad al ruido ambiental. Conectar a tierra en el transmisor únicamente. Aislar la malla para evitar conexiones a tierra no deseadas.
- Sellar todas las conexiones herméticamente para evitar infiltración y humedad.
- Instalar protecciones adecuadas para los cables.
- Evitar la instalación del cable cerca de fuentes de alta tensión o alta intensidad, contactores y sistemas de control, SCR.

Conexión directa

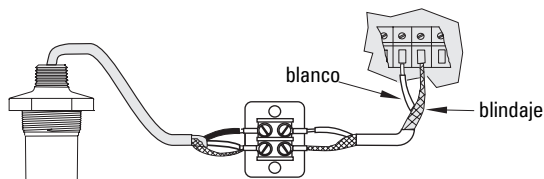
Utilizar un cable de 2 conductores blindado para conectar el sensor al transmisor Milltronics directamente.



Importante: Para conectar el sensor y un transmisor SITRANS LUC500, MultiRanger 100/200, o HydroRanger 200 conectar el cable blanco, negro y el blindaje separadamente. Es imprescindible NO conectar el cable blanco y el blindaje juntos.

Extensión coaxial

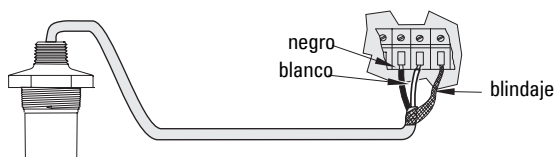
Utilizar una caja de conexiones y un cable coaxial RG-62 A/U para conectar el sensor y un transmisor Siemens Milltronics. Con este tipo de instalación se admiten separaciones de hasta 365 m (1200 ft).



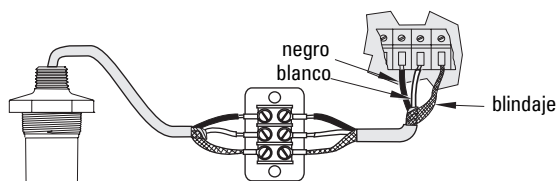
Para extensiones de cables, utilizar cable coaxial RG-62 A/U

Nota: Es imprescindible NO utilizar cable coaxial para conectar el sensor y un transmisor SITRANS LUC500, MultiRanger 100/200, ó HydroRanger 200. Para más detalles véase el diagrama a continuación.

Conexión directa, 3 bornes*



Extensión 3 bornes*



Para extensiones de cables, utilizar un cable de par trenzado/apantallado 0,823 mm² (18 AWG).

* Sólo para SITRANS LUC500, MultiRanger 100/200 y HydroRanger 200.

Manuel d'utilisation du transducteur ST-H

Ce manuel décrit les caractéristiques et les fonctions essentielles des transducteurs Série ST-H. Le *Guide d'application des transducteurs* peut être téléchargé à partir du site www.siemens.com/processautomation. Pour obtenir une version imprimée du manuel, contactez votre représentant Siemens Milltronics.

Toute question sur le contenu de ce document peut être adressée à :

Siemens Milltronics Process Instruments Inc.
1954 Technology Drive, P.O. Box 4225
Peterborough, Ontario, Canada, K9J 7B1
e-mail : techpubs.smpi@siemens.com

**Copyright Siemens Milltronics Process
Instruments Inc. 2004
Tous droits réservés**

Clause de non-responsabilité

Nous encourageons les utilisateurs à se procurer les exemplaires imprimés de ces manuels ou les versions électroniques préparées et validées par Siemens Milltronics Process Instruments Inc. Siemens Milltronics Process Instruments Inc. ne pourra être tenu responsable du contenu de toute reproduction totale ou partielle des versions imprimées ou électroniques.

Les informations fournies dans ce manuel ont été vérifiées pour garantir la conformité avec les caractéristiques du système. Des divergences étant possibles, nous ne pouvons en aucun cas garantir la conformité totale. Ce document est révisé et actualisé régulièrement pour inclure les nouvelles caractéristiques. N'hésitez pas à nous faire part de vos commentaires.

Sous réserve de modifications techniques.

MILLTRONICS est une marque déposée de Siemens Milltronics Process Instruments Inc.

Consignes de sécurité

Il est important de respecter les consignes fournies dans ce manuel d'utilisation afin de garantir la sécurité de l'utilisateur ou de tiers et la protection de l'appareil ou de tout équipement connecté à ce dernier. Chaque avertissement s'associe à une explication détaillée du niveau de précaution recommandé pour chaque opération.



AVERTISSEMENT : fait référence à une mention sur le produit. Signifie que la mort, des blessures corporelles graves et/ou des dommages matériels conséquents peuvent se produire si les dispositions de sécurité correspondantes ne sont pas respectées.



AVERTISSEMENT : signifie que la mort, des blessures corporelles graves et/ou des dommages matériels conséquents peuvent se produire si les dispositions de sécurité correspondantes ne sont pas respectées.

PRECAUTION : signifie que des dommages matériels conséquents peuvent se produire si les dispositions de sécurité correspondantes ne sont pas respectées.

N.B. : information importante concernant le produit ou une section particulière de la notice d'utilisation.

Réparation de l'appareil et limite de responsabilité

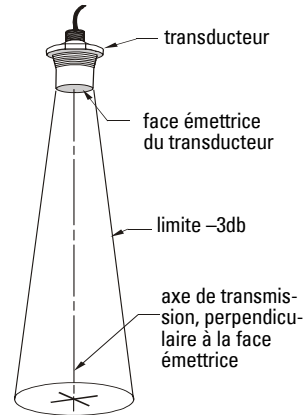
- Toute modification ou réparation du système effectuée par l'utilisateur ou par son mandataire sera placée sous la responsabilité de l'utilisateur.
- Utiliser seulement des composants fournis par Siemens Milltronics Process Instruments Inc.
- Réparer uniquement les composants défectueux.
- Les composants défectueux ne doivent pas être réutilisés.

Introduction

Le transducteur ST-H est utilisé avec les transmetteurs de niveau ultrasoniques de Siemens Milltronics.

Le transducteur convertit l'énergie électrique de l'impulsion émise par le transmetteur, en énergie acoustique. L'énergie acoustique de l'écho est ensuite convertie en énergie électrique pour le transmetteur.

L'énergie acoustique est émise de la face émettrice du transducteur et rayonnée vers l'extérieur. Son amplitude est décroissante à un taux inversement proportionnel au carré de la distance. La puissance maximale est obtenue sur l'axe de transmission, ligne perpendiculaire à la face émettrice du transducteur. Le cône virtuel, centré sur l'axe de transmission, et dont l'enveloppe passe par le point où la puissance acoustique est réduite de moitié (-3 dB), définit l'angle du faisceau d'émission.



Les transducteurs ST-H sont équipés d'un capteur de température interne. Ce capteur mesure la température de l'air au transducteur pour la rapporter au transmetteur.

Consignes Générales



AVERTISSEMENT : Cet appareil est conçu avec des matériaux choisis en fonction de leur compatibilité chimique, pour une exploitation générale. Se reporter aux tableaux de compatibilité avant toute utilisation dans un environnement spécifique.

N.B. : Cet instrument est conçu pour une utilisation en milieu industriel. Utilisé en zone résidentielle, cet appareil peut provoquer des perturbations des communications radio.

Instructions spécifiques aux installations en zone dangereuse (réf. Directive Européenne ATEX 94/9/CE, Annexe II, 1/0/6)

Les consignes suivantes s'appliquent aux appareils couverts par le certificat réf. BAS 99ATEX2298X.

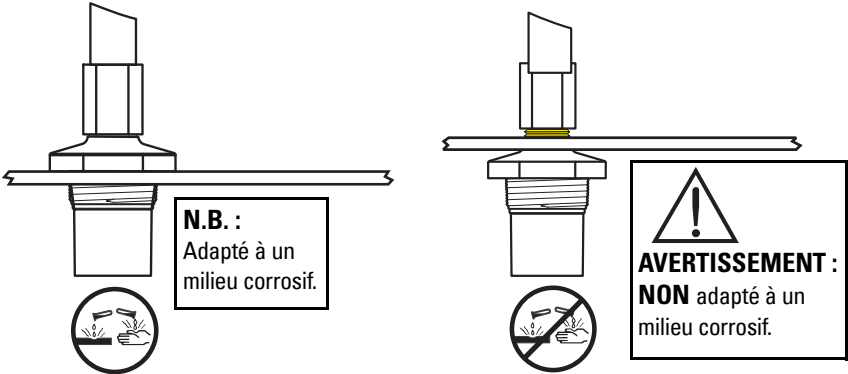
1. Le système peut être utilisé en présence de gaz et de vapeurs inflammables, avec des instruments de groupe IIC, classification de température T5.
2. Les transducteurs peuvent être utilisés lorsque la température ambiante varie entre -20 °C et +60 °C.
3. Conformément à la Directive 94/9/CE Annexe II, clause 1,5, ce système n'est pas considéré un dispositif de sécurité.
4. Le suffixe 'X' du numéro de certificat fait référence à des conditions spéciales, applicables à l'installation et à l'utilisation. Toute personne habilitée à installer ou à vérifier cet instrument doit pouvoir consulter le contenu du certificat.
5. Le transducteur ne comporte pas un fusible ou autre composant interne permettant sa connexion à un courant de court-circuit de 4000A. Ce transducteur doit être alimenté par un instrument adapté, pouvant supporter une alimentation avec un courant de court-circuit au moins équivalent à 4000A. Les transmetteurs Siemens Milltronics permettent de respecter ces conditions d'installation.
6. L'installation et la vérification de cet appareil doivent être effectuées par un personnel qualifié, en accord avec le code de bonne pratique applicable (EN 60079-14 et EN60079-17 pour l'Europe).
7. Toute réparation de ce système doit être effectuée par un personnel qualifié, en accord avec le code de bonne pratique applicable (ex. EN 60079-19 pour l'Europe).
8. Les composants intégrés dans l'instrument ou utilisés pour les remplacements éventuels devront être installés par un personnel qualifié en accord avec les instructions fournies par le fabricant.
9. Ce système est conçu avec les matériaux suivants, pour permettre un fonctionnement fiable en zone certifiée :
 - Pâte d'adhésion Norton Performance Plastics Chemgrip
 - Boîtier ETFE
 - Boîtier PVDF
 - Protection isolante Master Bond Polysulphide EP21LPT ou Dow-Corning 3-4207
 - Protection isolante Durapot 861-F3 Cotronics
 - Protection isolante Durapot 864 Cotronics

Si l'instrument peut entrer en contact avec des substances agressives, tels que des solvants pouvant affecter des matériaux polymérisés, il incombe à l'utilisateur de prendre les mesures adéquates pour empêcher la détérioration de l'instrument et garantir l'indice de protection. Il est impératif de vérifier l'instrument régulièrement et de consulter les spécifications fournies pour s'assurer de la résistance du transducteur aux substances chimiques présentes dans l'application.

Mesures de sécurité

Le corps du transducteur ST-H en PVDF ou ETFE moulé est composé de deux pièces principales et des composants internes enrobés d'époxyde. La jonction entre la section supérieure et la section inférieure n'est pas hermétiquement étanche. L'exposition de cette jonction à une atmosphère susceptible d'attaquer l'époxy affectera l'intégrité structurelle du transducteur. Dans ce cas, la section supérieure sera séparée du corps principal du transducteur.

Certaines atmosphères peuvent être compatibles avec le PVDF ou l'ETFE mais peuvent attaquer l'époxy. Dans ce cas, prévoir une bride ou un support adapté(e) et installer le transducteur en utilisant le raccord 2" sur la section inférieure. Il est impératif d'assurer l'isolation adéquate de la jonction du transducteur (section supérieure/section inférieure) de l'atmosphère corrosive.



La séparation de la section supérieure du corps du transducteur entraînera l'exposition de la circuiterie sous tension à la zone dangereuse, augmentant le risque d'explosion lorsque des poussières ou des gaz explosifs sont présents en quantité suffisante. Cela peut également provoquer le dysfonctionnement de l'instrument de mesure de niveau, avec des conséquences pour le processus dans lequel est installé le système ultrasonique.

Caractéristiques Techniques

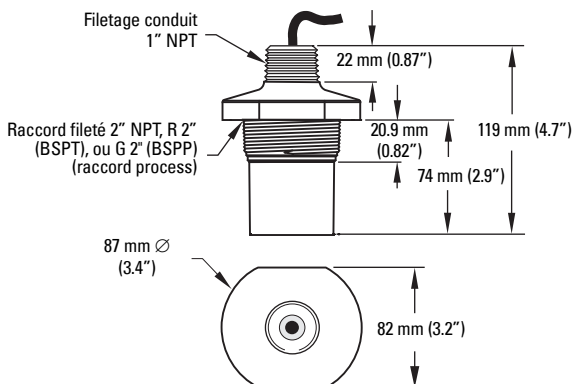
Transducteur ST-H	
Plage de mesure	0,3 - 10 m (1 - 33 ft)
Pression	atmosphérique
Alimentation auxiliaire	Utilisation du transducteur avec un transmetteur Siemens Milltronics uniquement
Fréquence	44 kHz
Angle du faisceau	12°
Poids*	1,4 kg (3 lbs)
Séparation	365 m (1200 ft) du transmetteur
Caractéristiques environnementales	
Emplacement	intérieur/extérieur
Altitude	2000 m (maximum)
Température ambiante	-20 ... +60 °C (-5 ... +140 °F) (version agréée ATEX) -40 ... +73 °C (-40 ... +163 °F) (version agréée CSA / FM)
Caractéristiques constructives	
Corps	Base et couvercle en PVDF ou ETFE (joint époxy)**
Montage	Raccord process 2" NPT (cône), R 2" (BSPT), ou G 2" (BSPP)
Câble de raccordement	Bifilaire blindé / torsadé, 0,519 mm ² (20 AWG), gaine PVC
Options	<ul style="list-style-type: none"> • adaptateur bride, cf. instructions fournies • kit de submersion, cf. instructions fournies
Homologations	CE***, FM, ATEX, C-TICK, INMETRO, CSA (ETFE uniquement)

* Poids d'expédition approximatif du transducteur + câble (longueur standard).

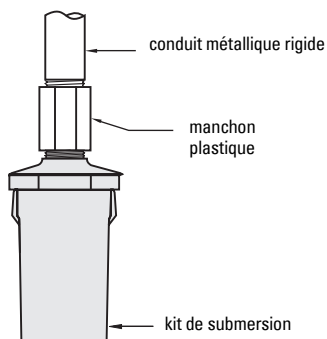
** Lorsque le transducteur est utilisé pour mesurer des produits chimiques, vérifier la compatibilité de l'ETFE ou du PVDF et de l'époxy ou s'assurer que la jonction se trouve à l'extérieur du process.

*** Certificat CEM disponible sur demande.

Encombrement

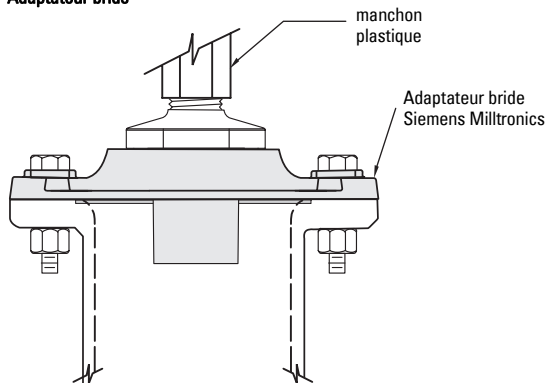


Submersible



Transducteur submersible pour les applications avec risque de débordement.

Adaptateur bride

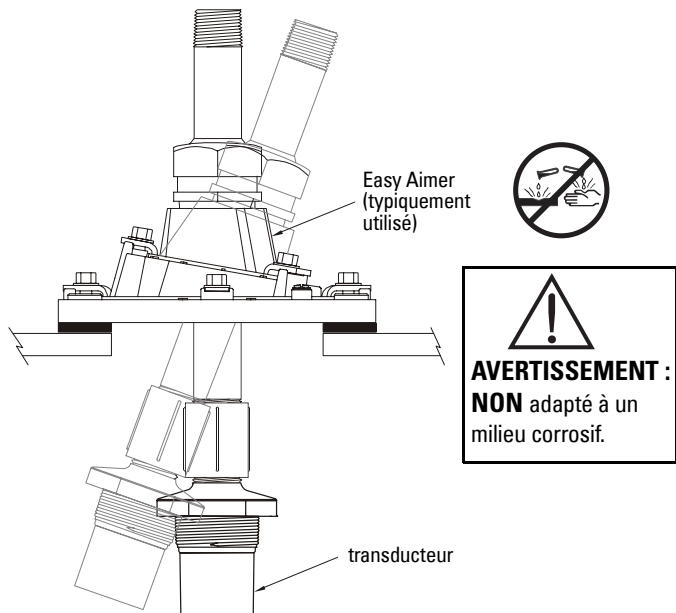


Montage

- Ne pas fixer le transducteur directement sur une surface métallique. Utiliser un couplage et un raccord manchon plastique et un nipple de raccordement (fourniture client).
- Lors du montage du transducteur, respecter une **distance minimale équivalente à la valeur de la zone morte au dessus du niveau maximum du matériau**. Pour plus de détails se reporter au manuel d'utilisation du transmetteur utilisé.
- Pour les applications avec liquides, monter le transducteur de telle sorte que l'axe d'émission soit perpendiculaire à la surface du liquide. Pour les réservoirs à toit parabolique il est possible d'utiliser un dispositif d'orientation Easy Aimer afin que la face émettrice du transducteur soit perpendiculaire à la surface du liquide.
- Pour les applications avec des solides, utiliser un kit de fixation Easy Aimer de Siemens Milltronics pour l'orientation du transducteur.
- Si le transducteur doit être fixé sur un piquage, s'assurer que la surface intérieure et l'extrémité de la réhausse soient lisses, sans bavures, stries ou soudures.
- Le transducteur peut être associé à un capteur de température optionnel au moment du montage.
- Éviter un serrage excessif. Le serrage manuel du matériel est généralement suffisant.

Montage – Applications avec des solides

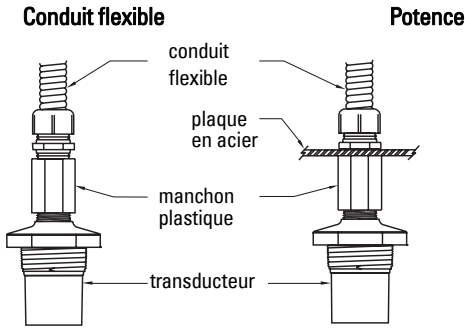
Applications non-corrosives



Pour mesurer les solides, le transducteur doit être orienté vers le point de vidange du réservoir. Le kit d'orientation Easy Aimer de Siemens Milltronics (option) simplifie ce type de montage.

Montage – Applications avec des liquides

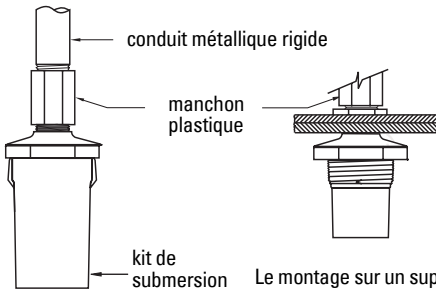
Applications non-corrosives



Les transducteurs montés avec un conduit flexible ne doivent pas être exposés au vent, aux vibrations et aux secousses.

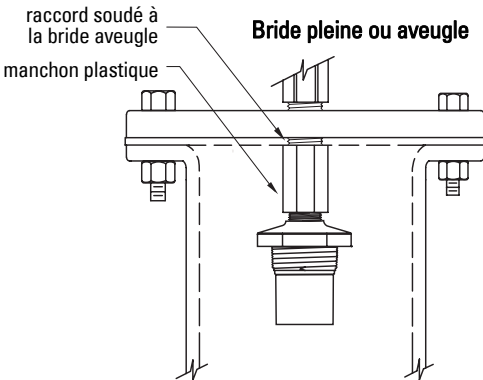


Submersible Support contre-plaqué



Transducteur submersible pour les applications avec risque de débordement.

Le montage sur un support en bois contre-plaqué garantit une excellente isolation aux vibrations. Prévoir une plaque suffisamment rigide pour éviter toute flexion.



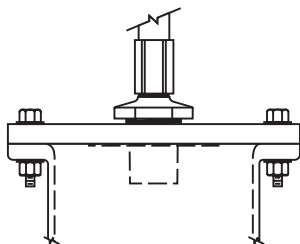
Bride, support et matériel fournis par le client.



Montage – Applications avec des liquides

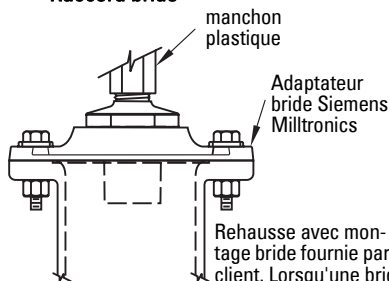
Applications en milieu corrosif

Bride pleine ou aveugle



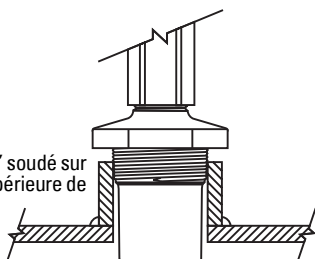
Bride, support et matériel fournis par le client.

Raccord bride



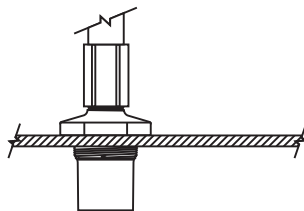
Rehausse avec montage bride fournie par le client. Lorsqu'une bride métallique doit être soudée au tuyau, consulter le *Manuel d'utilisation du transducteur*, disponible sous www.siemens.com/processautomation

Manchon



Manchon 2" soudé sur la partie supérieure de la cuve

Manchon



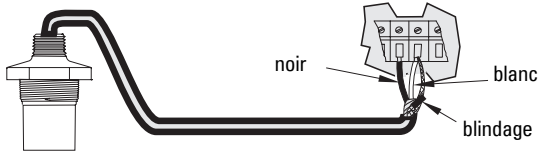
Interconnexions

N.B. : L'installation doit être effectuée par un personnel qualifié, en accord avec les dispositions réglementaires locales.

- Pour garantir une isolation optimale contre les bruits électriques, installer le câble sous gaine métallique mise à la terre, sans aucun autre câble (excepté le câble du capteur de température). Effectuer la mise à la terre de la tresse côté transmetteur uniquement. Isoler le blindage aux points de jonction pour éviter toute mise à la terre imprévue.
- Assurer un serrage hermétique des connexions pour éviter toute humidité d'infiltration.
- Le cheminement du câble doit être effectué avec des protections adaptées.
- Eviter l'installation du câble près de sources haute tension ou haute intensité, contacteurs et systèmes de commande à thyristors.

Connexion directe

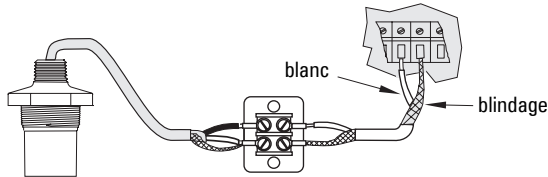
Le transducteur doit être connecté directement au transmetteur Milltronics avec un câble blindé à 2 conducteurs.



N.B. : Connecter le blindage, le câble blanc et le câble noir séparément lorsque le transducteur est relié à un transmetteur SITRANS LUC500, MultiRanger 100/200 ou HydroRanger 200. NE PAS associer le blindage et le câble blanc lors de la connexion.

Extension coaxiale

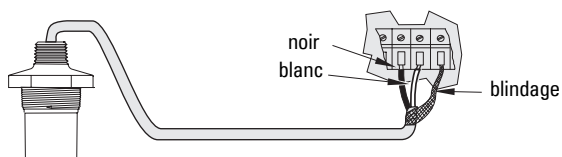
Utiliser une boîte de jonction et un câble coaxial RG-62 A/U pour connecter le transducteur au transmetteur Siemens Milltronics. Ce type d'installation est conseillé pour les extensions de câble jusqu'à 365 m (1200 ft).



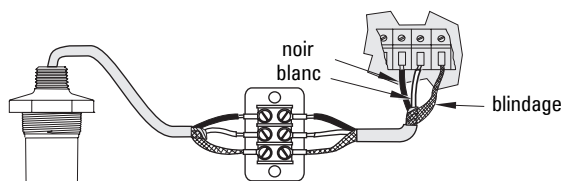
Extension de câble avec un câble coaxial RG-62 A/U.

N.B. : Il est impératif de NE PAS utiliser un câble coaxial pour relier le transducteur à un transmetteur SITRANS LUC500, MultiRanger 100/200 ou HydroRanger 200. Se reporter au schéma ci-dessous.

Connexion directe 3 bornes*



Extension 3 bornes*



Pour les extensions, utiliser un câble 0,823 mm² paire blindée/torsadée (18 AWG).

* Pour SITRANS LUC500, MultiRanger 100/200 et HydroRanger 200 uniquement

Manuale operativo del trasduttore ST-H

Questo manuale descrive le funzioni principali dei trasduttori serie ST-H. Il *Manuale di applicazione dei trasduttori* è disponibile per download sul nostro sito web: www.siemens.com/processautomation. È possibile acquistare una versione stampata del manuale presso il proprio rappresentante Siemens Milltronics.

Per ulteriori informazioni su questo manuale, rivolgersi a:

Siemens Milltronics Process Instruments Inc.
1954 Technology Drive, P.O. Box 4225
Peterborough, Ontario, Canada, K9J 7B1
Email: techpubs.smpi@siemens.com

Italiano

Copyright Siemens Milltronics Process Instruments Inc. 2004. Tutti i diritti riservati	Clausola di esclusione della responsabilità
<p>Si consiglia agli utenti di acquisire manuali stampati autorizzati oppure di consultare le versioni elettroniche progettate e realizzate da Siemens Milltronics Process Instruments Inc. Siemens Milltronics Process Instruments Inc. non potrà essere ritenuta responsabile per la riproduzione parziale o totale del contenuto delle versioni stampate o elettroniche.</p>	<p>La conformità tra lo stato tecnico dell'apparecchio e il contenuto di questo manuale è stata verificata; tuttavia, potrebbero essere riscontrate alcune variazioni. SMPI non garantisce pertanto la completa conformità del manuale con l'apparecchio descritto. Si avvisa inoltre che tutti i manuali vengono regolarmente controllati ed aggiornati e che le eventuali correzioni vengono incluse nelle versioni successive. Si invitano gli utenti a trasmettere i propri suggerimenti e commenti a SMPI.</p> <p>SMPI si riserva il diritto di apportare modifiche tecniche.</p>

MILLTRONICS è un marchio registrato di Siemens Milltronics Process Instruments Inc.

Indicazioni di sicurezza

L'apparecchio deve essere utilizzato osservando le avvertenze. Un utilizzo non corretto potrebbe causare danni anche gravi alle persone, sia al prodotto e agli apparecchi ad esso collegati. Le avvertenze contengono una spiegazione dettagliata del livello di sicurezza da osservare.



ATTENZIONE: questo simbolo sul prodotto indica che la mancata osservazione delle precauzioni necessarie può causare morte o gravi lesioni personali nonché seri danni materiali.



ATTENZIONE: questo simbolo indica che la mancata osservazione delle precauzioni necessarie può causare morte o gravi lesioni personali nonché seri danni materiali.

AVVERTENZA: questo simbolo indica che la mancata osservazione delle precauzioni necessarie può causare seri danni materiali.

Nota: le note contengono importanti informazioni sul prodotto o sulla sezione del manuale d'istruzioni a cui viene fatto riferimento.

Riparazione dell'apparecchio ed esclusione di responsabilità

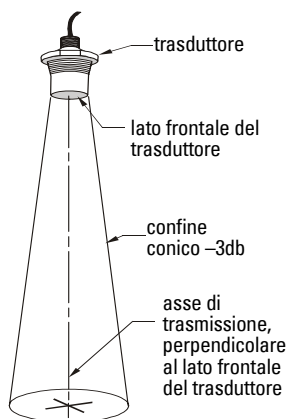
- L'utente è considerato responsabile di qualsiasi modifica e riparazione apportata al dispositivo dall'utente stesso o da chi per esso.
- Tutti i componenti nuovi devono essere forniti da Siemens Milltronics Process Instruments Inc.
- Le riparazioni vengono effettuate esclusivamente su componenti difettosi.
- Non riutilizzare componenti difettosi.

Introduzione

Il trasduttore ST-H funziona con prodotti di monitoraggio del livello ultrasonico Siemens Milltronics.

Il trasduttore converte in energia acustica l'energia elettrica dell'impulso di trasmissione proveniente dal controller. L'energia acustica dell'eco viene quindi di nuovo convertita in energia elettrica per il controller.

Il lato frontale del trasduttore emette energia acustica che si irradia verso l'esterno, diminuendo in ampiezza a una velocità inversamente proporzionale al quadrato della distanza. La potenza massima si irradia perpendicolarmente dal lato frontale del trasduttore lungo l'asse di trasmissione. Quando la potenza è ridotta del 50% (-3 dB), un confine conico centrato sull'asse di trasmissione definisce il fascio acustico, il cui diametro corrisponde all'apertura del fascio.



I trasduttori ST-H sono dotati di un sensore di temperatura integrato che rileva la temperatura dell'aria presso il trasduttore e ne informa il controller.

Indicazioni generali



ATTENZIONE: I materiali di composizione di questi apparecchi vengono scelti in base alla relativa compatibilità chimica (o inerzia) relativa all'uso generico dell'apparecchiatura. Per l'esposizione in ambienti specifici, verificare il grafico della compatibilità chimica prima di procedere all'installazione.

Nota: Il presente apparecchio è stato progettato e prodotto per l'uso in ambienti industriali. L'uso in zone residenziali può causare disturbi alle comunicazioni radiofoniche.

Istruzioni specifiche per apparecchiature utilizzate in zone potenzialmente esplosive

(Direttiva Europea ATEX 94/9/CE, Allegato II, 1/0/6)

Le seguenti istruzioni riguardano apparecchi coperti dal certificato numero BAS 99ATEX2298X.

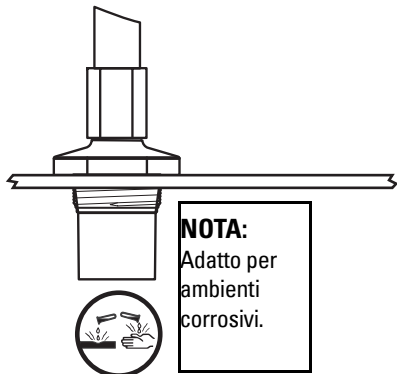
1. L'apparecchio può essere utilizzato in atmosfere potenzialmente esplosive composte da gas o vapori pericolosi con dispositivi del Gruppo II, Classe di temperatura T5.
2. L'apparecchio è certificato per l'uso a temperature ambienti comprese tra -20 °C e +60 °C.
3. Questo apparecchio non è stato definito dispositivo di sicurezza nell'ambito della direttiva CE 94/0/CE Allegato II, clausola 1.5.
4. Il suffisso 'X' del numero di certificato si riferisce a condizioni speciali per l'uso sicuro. Il personale responsabile dell'installazione e dell'ispezione dell'apparecchio deve poter accedere al contenuto di tale certificato.
5. Questo trasduttore non è dotato di un fusibile interno o di componenti che ne garantiscano l'adeguatezza per il collegamento a circuiti con capacità di interruzione pari a 4000A. Il trasduttore deve essere alimentato esclusivamente tramite un circuito con capacità di interruzione pari a 4000A. Tale condizione è garantita dai ricetrasmittitori Siemens Milltronics.
6. L'installazione e l'ispezione di questi apparecchi devono essere eseguite da personale qualificato in conformità con le normative locali correnti (EN 60079-14 e EN 60079-17 in Europa).
7. Le riparazioni di questi apparecchi devono essere eseguite in conformità con i codici di procedura applicabili (esempio: EN60079-19 in Europa).
8. I componenti incorporati nell'apparecchio o utilizzati per sostituire altre parti dovranno essere installati da personale qualificato in conformità con le istruzioni contenute nella documentazione fornita dal fabbricante.
9. La certificazione di questi trasduttori si basa sull'utilizzo dei seguenti materiali di fabbricazione:
 - Composto aderente Chemgrip, Norton Performance Plastics
 - Custodia di ETFE
 - Custodia di PVDF
 - Incapsulante Master Bond Polysulphide EP21LPT o Dow-Corning 3-4207
 - Incapsulante Durapot 861-F3, Cotronics
 - Incapsulante Durapot 864, Cotronics

Se esiste la possibilità che l'apparecchio entri in contatto con sostanze aggressive, l'utente è responsabile ed è tenuto ad adottare le debite precauzioni, in modo da evitare che l'apparecchio venga danneggiato, assicurandosi pertanto che il tipo di protezione non venga compromesso. È importante effettuare controlli regolari durante ispezioni di routine o verifica, mediante consultazione delle specifiche dei materiali, della resistenza dei materiali stessi alle sostanze chimiche specifiche del caso.

Precauzioni consigliate

Il trasduttore ST-H è dotato di un corpo modellato (PVDF o ETFE) composto in due parti. I componenti interni sono incapsulati in un composto epossidico. La giunzione tra la sezione superiore e inferiore del trasduttore non garantisce la chiusura ermetica. L'esposizione della giunzione a condizioni in grado di attaccare il composto epossidico può compromettere l'integrità strutturale dell'apparecchio. Questo può provocare la separazione della parte superiore dal corpo del trasduttore.

In ambienti compatibili con il PVDF o l'ETFE ma non con il composto epossidico, installare il trasduttore con una flangia o un'adattatore, con la filettatura 2" sulla parte inferiore del trasduttore. Isolare la giunzione tra la sezione superiore e inferiore del trasduttore dall'ambiente corrosivo.



La separazione della sezione superiore dal corpo del trasduttore provoca l'esposizione dei circuiti sotto tensione all'ambiente a rischio, e aumenta il rischio di esplosioni se l'atmosfera contiene concentrazioni sufficienti di polveri o di gas esplosivi. Questo può anche provocare il malfunzionamento del misuratore di livello, con conseguenze per il processo in cui viene utilizzato l'apparecchio ultrasonico.

Caratteristiche tecniche

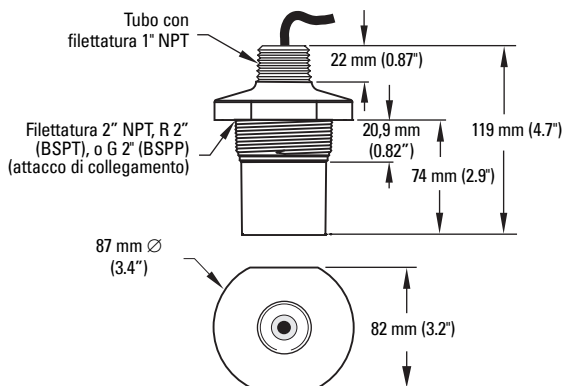
Trasduttore ST-H	
Campo di lavoro	0,3 - 10 m (1 - 33 ft)
Pressione	Atmosferica
Alimentazione	I trasduttori devono essere alimentati esclusivamente tramite controller Siemens Milltronics certificati
Frequenza	44 kHz
Angolo apertura	12°
Peso*	1,4 kg (3 lbs)
Distanza massima dal ricetrasmittitore	365 m (1200 ft)
Condizioni ambientali	
Collocazione	Interni/esterni
Massima altitudine	2000 m (max.)
Temperatura ambientale	-20 ... +60 °C (-5 ... +140 °F) (modello approvato ATEX) -40 ... +73 °C (-40 ... +163 °F) (modello approvato CSA/FM)
Struttura	
Custodia	Base e coperchio di PVDF o EFTE (giunzione con finizione epossidica)**
Montaggio	Attacco di collegamento 2" NPT (conico), R 2" (BSPT), o G 2" (BSPP)
Cavo	Elettrico bipolare schermato, da 0.519 mm ² (20 AWG) con guaina PVC
Opzioni	<ul style="list-style-type: none">• adattatore per flangia, consultare le relative istruzioni• esecuzione sommersibile, consultare le relative istruzioni
Certificazioni	CE***, FM, ATEX, C-TICK, INMETRO, CSA (solo versione EFTE)

* Peso approssimativo di spedizione del trasduttore incluso cavo di lunghezza standard.

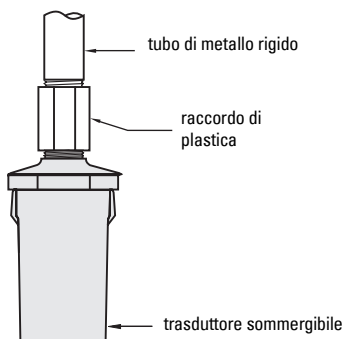
** Per applicazioni con sostanze chimiche controllare la compatibilità chimica del EFTE o PVDF e del composto epossidico o installare la giunzione fuori dal processo.

*** Dati sulle prestazioni CEM disponibili su richiesta.

Sagoma e dimensioni

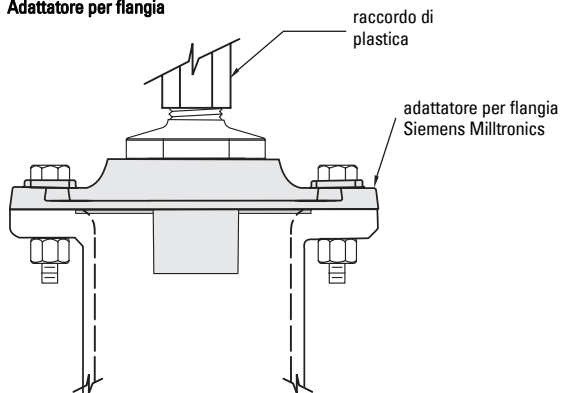


Sommersibile



Esecuzione sommersibile per applicazioni dove è possibile che il trasduttore venga sommerso.

Adattatore per flangia

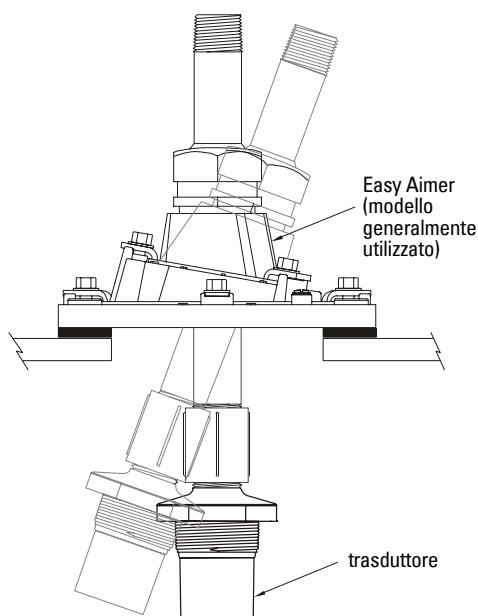


Montaggio

- Non installare il trasduttore direttamente su una superficie metallica. Isolare con un'attacco/accoppiamento o un manicotto di plastica (fornito dal cliente).
- Montare il trasduttore collocandolo **al di sopra del livello materiale massimo, tenendo conto della zona di mascheramento (blanking)**. Fare riferimento al manuale del controller associato.
- Il trasduttore deve essere installato in modo che l'asse di trasmissione risulti perpendicolare alla superficie del liquido in questione. Per applicazioni su serbatoi a cielo curvo, è possibile utilizzare il giunto di orientamento Easy Aimer per mantenere il lato frontale del trasduttore perpendicolare alla superficie del liquido.
- Per le applicazioni su solidi, utilizzare un dispositivo Siemens Milltronics Easy Aimer per l'orientamento del trasduttore.
- Per installare il trasduttore su un apposito tubo controllare che la superficie interna del tubo sia liscia, senza punti di saldatura.
- Durante il montaggio del trasduttore, considerare il sensore di temperatura opzionale.
- Evitare un serraggio eccessivo. E' sufficiente il serraggio manuale del materiale durante il montaggio.

Montaggio – Applicazioni in solidi

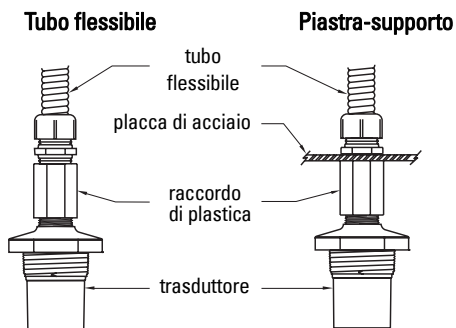
Applicazioni con materiali non corrosivi



Per le applicazioni su solidi, orientare il trasduttore verso il punto di svuotamento del serbatoio. Il dispositivo opzionale Siemens Milltronics Easy Aimer facilita il posizionamento dell'apparecchio.

Montaggio – Applicazioni in liquidi

Applicazioni con materiali non corrosivi

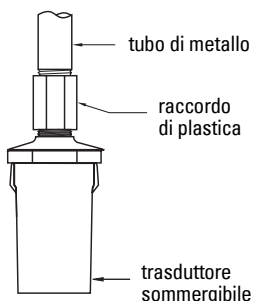


I trasduttori montati tramite tubo flessibile non vanno esposti al vento o alle vibrazioni.



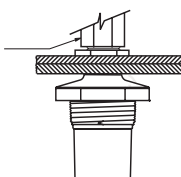
ATTENZIONE!
NON adatto per ambienti corrosivi.

Sommersibile



Esecuzione sommersibile per applicazioni dove è possibile che il trasduttore venga sommerso.

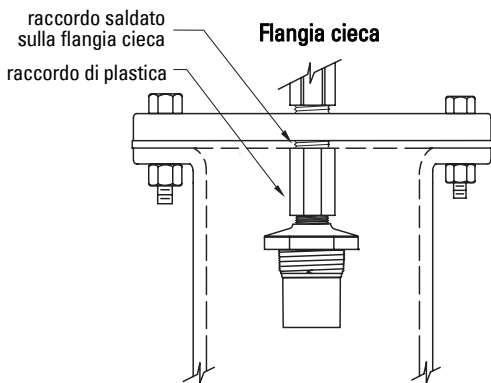
Placca di legno



Il montaggio tramite piastra di legno consente un'ottima isolamento. Tuttavia la piastra deve essere abbastanza rigida da non presentare flessioni sotto carico.



ATTENZIONE!
NON adatto per ambienti corrosivi.



Flangia, guarnizione, e materiale fornito dal cliente.

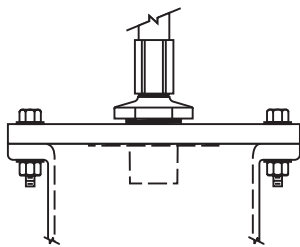


ATTENZIONE!
NON adatto per ambienti corrosivi.

Montaggio – Applicazioni in liquidi

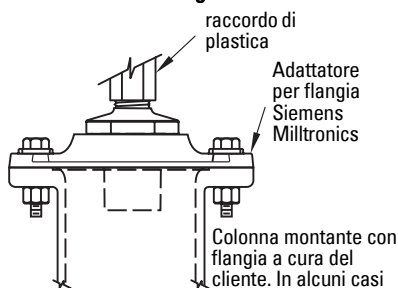
Applicazioni con materiali corrosivi

Flangia cieca



Flangia, guarnizione, e materiale fornito dal cliente.

Esecuzione flangiata

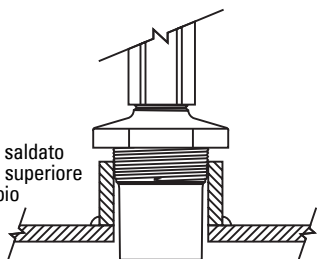


raccordo di plastica

Adattatore per flangia Siemens Milltronics

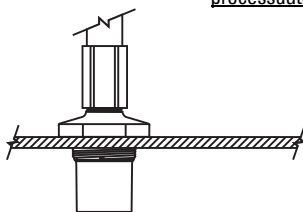
Colonna montante con flangia a cura del cliente. In alcuni casi può essere necessario saldare una flangia metallica sul tubo. Consultare il *Manuale di applicazione dei trasduttori* scaricabile sul sito www.siemens.com/processautomation

Attacco



Attacco 2" saldato sulla parte superiore del serbatoio

Attacco



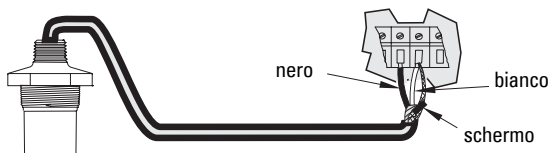
Intercollegamento

Nota: L'installazione deve essere eseguita esclusivamente da personale qualificato e in conformità con le normative locali correnti.

- Sistemare i cavi separatamente (eccetto il cavo del sensore di temperatura) all'interno di tubi protettivi di metallo con messa a terra, per proteggerli da disturbi e interferenze elettriche ambientali. È sufficiente effettuare la messa a terra della massa al ricetrasmittitore. Isolare la massa nei collegamenti per evitare messe a terra impreviste.
- Sigillare tutti i collegamenti filettati per evitare l'ingresso di umidità.
- Non sistemare i cavi lasciandoli scoperti.
- Non sistemare il cavo vicino a fonti di alta tensione o circuiti elettrici, contattori o pannelli/quadri di comando SCR.

Collegamento diretto

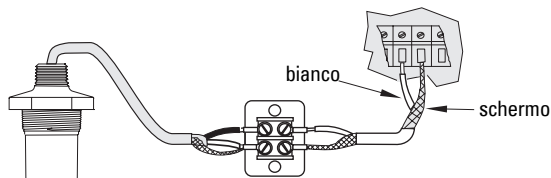
Collegare il trasduttore direttamente al controller Siemens Milltronics con un cavo elettrico bipolare schermato.



Nota: Per collegare il trasduttore a un ricetrasmittitore SITRANS LUC500, MultiRanger 100/200, o HydroRanger 200 collegare il cavo elettrico bianco, nero e lo schermo separatamente. NON collegare il cavo elettrico bianco e lo schermo separatamente. NON collegare il cavo elettrico bianco e lo schermo insieme.

Estensione coassiale

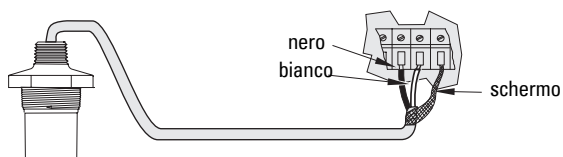
Collegare il trasduttore al ricetrasmittitore Siemens Milltronics tramite una cassetta di giunzione e un cavo coassiale RG-62 A/U. Questo tipo di installazione è adatto quando la massima distanza tra il trasduttore ed il controller è 365 m (1200 ft).



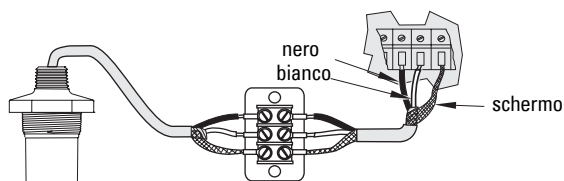
Per estendere il cavo utilizzare un cavo coassiale A/U RG-62.

Nota: NON utilizzare un cavo coassiale per collegare il trasduttore ad un ricetrasmittitore SITRANS LUC500, MultiRanger 100/200 e HydroRanger 200. Consultare il diagramma.

Collegamento diretto 3 morsetti*



Estensione 3 morsetti*



Per estendere il cavo utilizzare un cavo elettrico bipolare schermato da $0,823 \text{ mm}^2$ (18 AWG).

* Solo per i controller SITRANS LUC500, MultiRanger 100/200, e HydroRanger 200

ST-H Bedieningshandleiding

Deze handleiding beschrijft de belangrijkste kenmerken en functies van ST-H serie transducers. *De Transducer toepassingen handleiding* kan gratis worden gedownload van onze website: www.siemens.com/processautomation. Een versie op papier is verkrijgbaar via uw lokale Siemens Milltronics vertegenwoordiging.

Vragen omtrent de inhoud van deze handleiding kunnen worden gericht aan:

Siemens Milltronics Process Instruments Inc.
1954 Technology Drive, P.O. Box 4225
Peterborough, Ontario, Canada, K9J 7B1
Email: techpubs.smpi@siemens.com

**Auteursrecht Siemens Milltronics
Process Instruments Inc. 2004.
Alle rechten voorbehouden**

Disclaimer

Wij raden gebruikers aan geautoriseerde, ingebonden gebruikershandleidingen te kopen, of om de elektronische versies te raadplegen, zoals ontworpen en goedgekeurd door Siemens Milltronics Process Instruments Inc. Siemens Milltronics Process Instruments Inc. is niet aansprakelijk voor de inhoud van gedeeltelijk, of geheel gekopieerde versies, gebonden of elektronisch.

Hoewel we de inhoud van deze gebruikershandleiding hebben geverifieerd aan de omschreven instrumentatie, kunnen desondanks afwijkingen voorkomen. Wij kunnen derhalve niet een volledige overeenstemming garanderen. De inhoud van deze handleiding wordt regelmatig herzien, en correcties worden opgenomen in volgende uitgaven. Wij houden ons aanbevolen voor suggesties ter verbetering.

Technische gegevens kunnen worden gewijzigd.

MILLTRONICS is een geregistreerd handelsmerk van Siemens Milltronics Process Instruments Inc.

Veiligheidsrichtlijnen

Waarschuwingmeldingen moeten worden aangehouden om de eigen veiligheid en die van anderen te waarborgen en om het product en de aangesloten apparatuur te beschermen. Deze waarschuwingmeldingen gaan vergezeld van een verduidelijking van de mate van voorzichtigheid die moet worden aangehouden.



Waarschuwing: Heeft betrekking op een waarschuwingssymbool op het product en betekent dat het niet aanhouden van de noodzakelijke voorzorgsmaatregelen kan leiden tot ernstig of dodelijk letsel en/of aanzienlijke materiële schade.



Waarschuwing: betekent dat het niet aanhouden van de noodzakelijke voorzorgsmaatregelen kan leiden tot ernstig of dodelijk letsel en/of aanzienlijke materiële schade

Opgelet: betekent dat het niet aanhouden van de noodzakelijke voorzorgsmaatregelen kan leiden tot aanzienlijke materiële schade.

Opmerking: geeft belangrijke informatie aan over het product of dat deel van de gebruikershandleiding.

Reparatie van de eenheid en uitsluiting van aansprakelijkheid

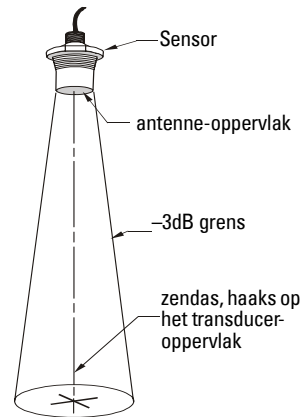
- De gebruiker is verantwoordelijk voor alle wijzigingen en reparaties die aan het apparaat worden uitgevoerd door de gebruiker of agent van de gebruiker.
- Alle nieuwe componenten moeten worden geleverd door Siemens Milltronics Process Instruments Inc.
- Beperkt de reparatie uitsluitend tot defecte componenten.
- Gebruik defecte componenten niet opnieuw.

Introductie

De ST-H transducer werkt in combinatie met Siemens Milltronics ultrasone niveaubewakingsproducten.

De transducer converteert de elektrische energie van de zendpuls van de transceiver in een akoestische energie. Vervolgens converteert het de akoestische energie van de echo weer terug in elektrische energie voor de regelaar.

Het transducer-oppervlak zendt akoestische energie uit die uitwaaiert, waarbij de amplitude afneemt omgekeerd proportioneel aan het kwadraat van de afstand. Het maximale vermogen straalt haaks op het transducer-oppervlak op de as van de transmissie. Daar waar het vermogen met de helft wordt gereduceerd (-3 dB), geeft een conische grens, gecentreerd rond de as van de transmissie de geluidsbundel, waarvan de diameter de bundelhoek is.



De ST-H transducers zijn voorzien van een geïntegreerde temperatuursensor, welke de luchttemperatuur bij de transducer doorgeeft aan de regelaar.

Algemene richtlijnen



WAARSCHUWING: Constructiematerialen zijn gekozen op basis van hun chemische compatibiliteit (of inerteid) voor algemene doeleinden. Controleer voor blootstelling aan specifieke omgevingen, de chemische compatibiliteitstabellen voorafgaande aan de installatie.

Opmerking: Dit product is bedoeld voor gebruik in industriële omgevingen. Gebruik van deze apparatuur in een woonomgeving kan leiden tot interferentie van uiteenlopende op frequentie gebaseerde communicatie.

Instructies speciaal voor installaties in explosiegevaarlijke zones (Raadpleeg de Europese ATEX richtlijn 94/9/EC, Annex II, 1/0/6)

De volgende instructies gelden voor apparatuur waarvoor het certificaat nr. BAS 99ATEX2298X van toepassing is.

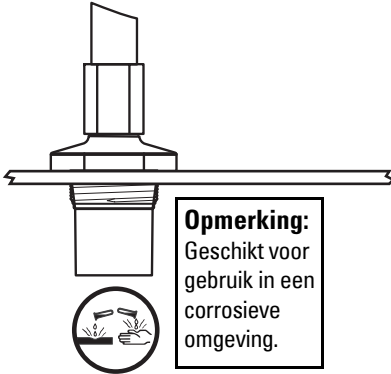
1. De apparatuur mag worden gebruikt bij ontvlambare gassen en dampen met apparaatgroep II en met temperatuurklasse T5.
2. De apparatuur is gecertificeerd voor gebruik in een omgevingstemperatuurbereik van -20 °C tot +60 °C.
3. De apparatuur is niet getest als veiligheidstoestel zoals bedoeld in de EC richtlijn 94/9/EC Annex II, clause 1.5.
4. Het certificaat is voorzien van een 'X' suffix, hetgeen aangeeft dat speciale condities van toepassing zijn voor de installatie en het gebruik. Diegene die deze apparatuur installeren of inspecteren moeten toegang hebben tot de inhoud van dit certificaat.
5. De transducer is niet voorzien van een interne zekering of enige andere componenten welke de geschiktheid garanderen voor aansluiting op een mogelijke kortsluitstroom van 4000A. De transducer moet worden gevoed uit een apparaat dat geschikt is voor aansluiting op een voeding die bestand is tegen een mogelijke kortsluitstroom van maximaal 4000A. De Siemens transceivers voldoen aan deze eis.
6. Installatie en inspectie van deze apparatuur moet worden uitgevoerd door voldoende opgeleid personeel, conform de geldende normen (EN 60079-14 en EN 60079-17 in Europa).
7. Reparatie van deze apparatuur moet worden uitgevoerd door voldoende opgeleid personeel, conform de geldende normen (EN 60079-19 in Europa).
8. Componenten die opgenomen moeten worden, of gebruikt moeten worden als vervangingen in de apparatuur, moeten worden gemonteerd door voldoende getraind personeel conform de documentatie van de producent.
9. De certificatie van deze apparatuur hangt af van de volgende materialen die in de constructie worden gebruikt:
 - Norton Performance Plastics Chemgrip lijmproduct
 - ETFE behuizingmateriaal
 - PVDF behuizingmateriaal
 - Master Bond Polysulphide EP21LPT of Dow-Corning 3-4207 inkapseling
 - Cotronics Durapot 861-F3 inkapseling
 - Cotronics Durapot 864 inkapseling

Wanneer de apparatuur in contact kan komen met agressieve stoffen, zoals oplosmiddelen welke een nadelig effect kunnen hebben op polymeren, is het de verantwoordelijkheid van de gebruiker om geschikte voorzorgsmaatregelen te nemen om negatieve effecten voor de apparatuur te voorkomen. Het is belangrijk om routinematige controles uit te voeren en vast te stellen aan de hand van het materiaal data-sheet dat de transducer bestand is tegen de chemicaliën die worden gebruikt in de toepassing.

Veiligheidsvoorzorgsmaatregelen

Het ST-H transducer-huis kent een ontwerp uit twee delen, gegoten in PVDF of EFTE waarbij de interne delen zijn ingegoten in epoxyhars. De naad tussen het bovenste en onderste deel is geen hermetische afdichting. De structurele integriteit van de transducer komt in gevaar wanneer de naad wordt blootgesteld aan een omgeving die de epoxyhars aantast. Als gevolg komt het bovendeel van het huis los van de transducer.

Voor omgevingen die compatibel zijn met PVDF of EFTE, maar wel epoxyhars kunnen aantasten, moet de transducer worden gemonteerd door een flens of sok, waarbij gebruik wordt gemaakt van de 2" schroefdraad op het onderste deel van de transducer. De naad tussen het bovenste en onderste deel van de transducer moet worden afgescheiden van de corrosieve omgeving.



Wanneer het bovenste deel van het huis loskomt van de transducer, wordt elektronica die onder stroom staat blootgesteld aan de explosiegevaarlijke omgeving, waardoor het gevaar op een explosie toeneemt wanneer explosiegevaarlijke stoffen of gassen aanwezig zijn in voldoende grote concentratie. Een storing in het niveausysteem kan eveneens optreden, hetgeen invloed kan hebben op het proces dat een ultrasoon niveaumeetsysteem gebruikt.

Specificaties

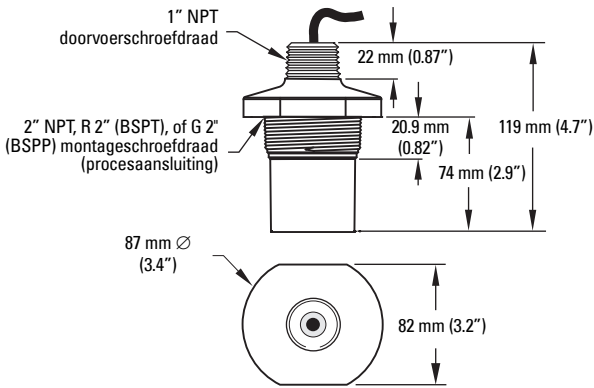
ST-H Transducer	
Meetbereik	0,3 - 10 m (1 - 33 ft)
Druk	open naar atmosfeer
Voeding	De transducer mag uitsluitend worden gevoed door een Siemens Milltronics gecertificeerde controller
Frequentie	44 kHz
bundelhoek	12°
Gewicht*	1,4 kg (3 lbs)
afstand	365 m (1200 ft) vanaf transceiver
Omgeving	
Locatie	binnen/buiten
Hoogte	2000 m (maximum)
Omgevingstemperatuur	-20 tot +60 °C (-5 tot +140 °F) (ATEX goedgekeurde uitvoering) -40 tot +73 °C (-40 tot +163 °F) (CSA/FM goedgekeurde uitvoering)
Constructie	
behuizing	PVDF of ETFE basis en deksel (verbinding met epoxy)**
Montage	2" NPT (Conisch), R 2" (BSPT), of G 2" (BSPP) procesaansluiting
Kabel	2-aderig afgeschermd/twisted, 0,519 mm ² (20 AWG), PVC mantel
Opties	<ul style="list-style-type: none">• flensadapter, raadpleeg bijbehorende instructies• dompelkoppeling, raadpleeg bijbehorende instructies
Goedkeuringen	CE***, FM, ATEX, C-TICK, INMETRO, CSA (alleen ETFE)

* Verzendgewicht van transducer met standaard kabelslang (bij benadering).

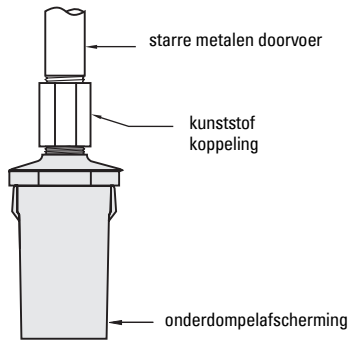
** Controleer voor chemische toepassingen de compatibiliteit met PVDF of ETFE en epoxy, of monteer de naad buiten het proces.

*** Prestaties beschikbaar op aanvraag.

Maatschets en afmetingen



Onderdompelbaar



Onderdompelbare transducer, gebruikt toepassingen waar overstroming mogelijk is.

Flensadapter

kunststof koppeling

Siemens Milltronics flensadapter

Detailed description: This diagram shows a flange adapter (Siemens Milltronics flensadapter) with a plastic coupling (kunststof koppeling) at the top. The adapter has two mounting points on the sides, each with a screw and a nut. Dashed lines indicate the internal structure and mounting points.

Nederlands

7ML19985QK82

ST-H Transducer – BEDIENINGSHANDLEIDING

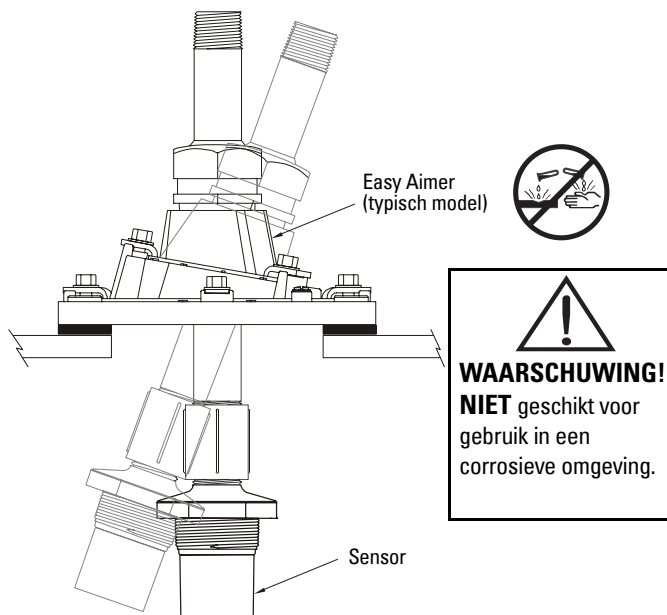
pagina NL:7

Montage

- Monteer de transducer niet direct op metaal. Gebruik een kunststof-koppeling en nippel voor isolatie (door klant geleverd).
- Monteer de transducer zodanig dat deze zich boven het maximale materiaalniveau bevindt op tenminste de blanking waarde. Raadpleeg de handleiding van de bijbehorende controller.
- Voor vloeistoftoepassingen moet de transducer zo worden gemonteerd dat de zendas haaks op het vloeistofoppervlak staat. Voor tanks met een parabolische bovenkant kan een Easy Aimer worden gebruikt om het transducervlak evenwijdig aan het vloeistofoppervlak te monteren.
- Gebruik voor stortgoedtoepassingen een Siemens Milltronics Easy Aimer voor het richten van de transducer.
- Daar waar de transducer is gemonteerd op een standpijp, moet de binnenkant van de standpijp glad zijn en zonder bramen, randen en naden.
- Houd rekening met de optionele temperatuursensor bij montage van de transducer.
- Bouten niet overmatig aanhalen. Het handvast aandraaien van de montagebouten is voldoende.

Montage – Stortgoedtoepassingen

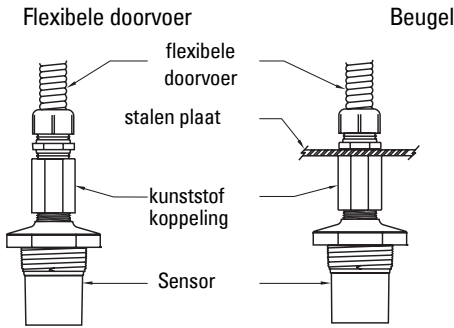
Niet corrosieve toepassing



Monteer in stortgoedtoepassingen de transducer zodanig dat deze is gericht op het laag niveau afvoerpunt. Gebruik de optionele Siemens Milltronics Easy Aimer voor een gemakkelijke montage.

Montage- Vloeistoftoepassingen

Niet corrosieve toepassing

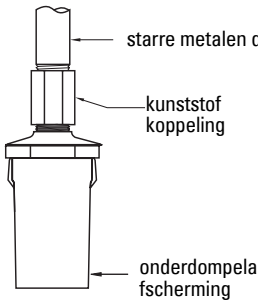


Een op een flexibele doorvoer gemonteerde transducer mag niet worden blootgesteld aan wind, trillingen of schudden



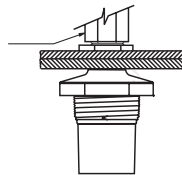
WAARSCHUWING!
NIET geschikt voor gebruik in een corrosieve omgeving.

Onderdompelbaar



Onderdompelbare transducer, gebruik deze in toepassing waar overstroming mogelijk is.

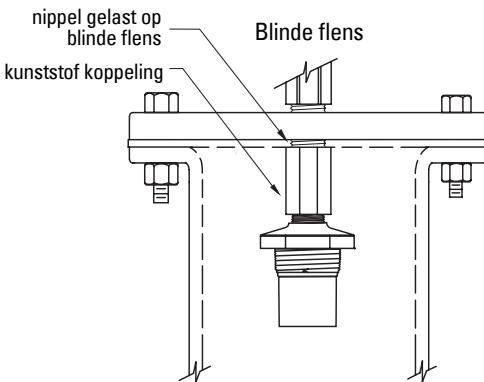
multiplex



Multiplex montage biedt uitstekende isolatie, maar moet star genoeg zijn om doorbuigen te voorkomen bij belasting.



WAARSCHUWING!
NIET geschikt voor gebruik in een corrosieve omgeving.



Flens, pakking en bevestigingsmateriaal geleverd door klant.

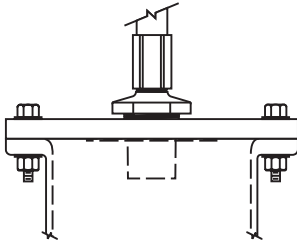


WAARSCHUWING!
NIET geschikt voor gebruik in een corrosieve omgeving.

Montage– Vloeistoftoepassingen

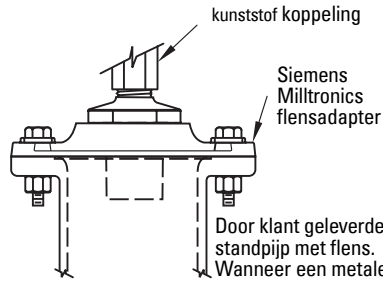
Corrosieve toepassing

Blinde flens



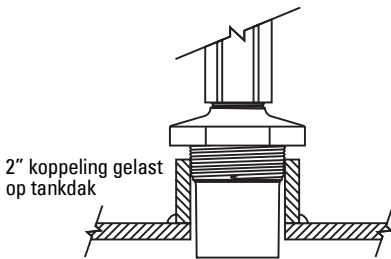
Flens, pakking en bevestigingsmateriaal geleverd door klant.

Flens-

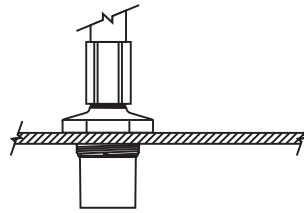


Door klant geleverde standpijp met flens.
Wanneer een metalen flens op de leiding moet worden gelast, raadpleeg dan de *Transducer toepassingshandleiding*, beschikbaar via www.siemens.com/processautomation

Koppeling



Koppeling



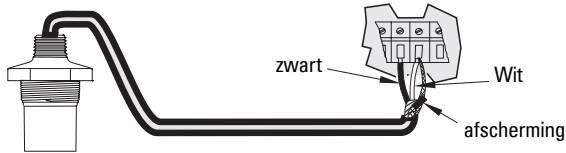
Aansluiting

Opmerking: De installatie mag uitsluitend worden uitgevoerd door gekwalificeerd personeel en in overeenstemming met lokale regelgeving.

- Voer, voor een optimale isolatie tegen elektrische ruis, de kabel separaat in een geaarde metalen goot zonder andere bekabeling (m.u.v. de temperatuursensor). Aard de afscherming uitsluitend bij de transceiver. Isoleer de afscherming op 'kruisingen' om ongewenste aarding te voorkomen.
- Dicht alle schroefdraadaansluitingen af om indringen van vocht te voorkomen.
- Leg de bekabeling niet open.
- Leg de bekabeling niet in de buurt van kabels met een hoge spanning of stroom, contactors, en microprocessorgestuurde gelijkrichters.

Directe aansluiting

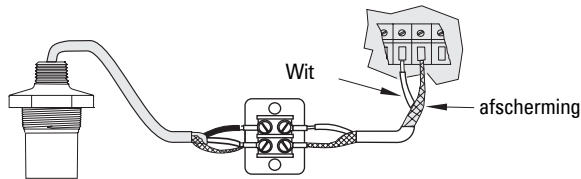
Sluit de transducer direct aan op de Milltronics transceiver, met de twee-aderige afschermingskabel.



Opmerking: Bij het aansluiten op een SITRANS LUC500, een MultiRanger 100/200, of een HydroRanger 200, worden de witte, zwarte en afschermingskabels alle afzonderlijk aangesloten. Sluit de witte en afschermingskabels niet op elkaar aan.

Coax verlenging

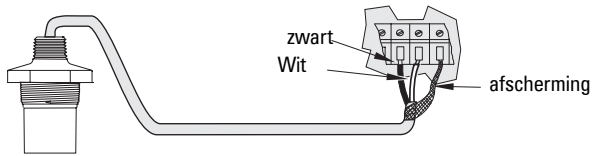
Sluit de transducer aan op de Siemens Milltronics transceiver via een schakelkast en RG-62 A/U coax-kabel. Deze configuratie is doelmatig voor gecombineerde lengten van max. 365 m (1200 ft).



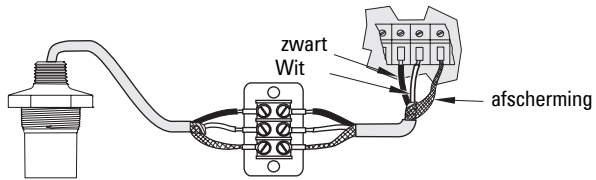
Verleng de kabel m.b.v. RG-62 A/U

Opmerking: Bij het aansluiten op een SITRANS LUC500, MultiRanger 100/200 en HydroRanger 200, GEEN coax-kabel gebruiken; zie onderstaande schema voor de juiste procedure.

3 Klem direct*



3 Klem extensie*



Verleng de kabel met 0,823 mm² (18 AWG) afgeschermd/twisted pair.

* Alleen voor SITRANS LUC500, MultiRanger 100/200 en HydroRanger 200

ST-H Manual de Operações

Este manual descreve em linhas gerais as características e funções principais dos transdutores série ST-H. O *Manual de Aplicações dos Transdutores* está disponível para download gratuito em nosso website: www.siemens.com/processautomation. Uma versão impressa pode ser adquirida com seu representante Siemens Milltronics local.

Quaisquer dúvidas acerca do conteúdo deste manual devem ser dirigidas a:

Siemens Milltronics Process Instruments Inc.
1954 Technology Drive, P.O. Box 4225
Peterborough, Ontário, Canadá, K9J 7B1
E-mail: techpubs.smpi@siemens.com

**Copyright Siemens Milltronics Process
Instruments Inc. 2004.
Todos os direitos reservados**

Exclusão de Responsabilidade

Aconselhamos os usuários a adquirirem manuais autorizados relacionados ou a verem versões eletrônicas conforme projetadas e autenticadas pela Siemens Milltronics Process Instruments Inc. A Siemens Milltronics Process Instruments Inc. não será responsabilizada pelo conteúdo de reproduções parciais ou totais de versões relacionadas ou eletrônicas.

Apesar de termos verificado o conteúdo deste manual relativamente à conformidade com os instrumentos descritos, este pode ter algumas variações. Dessa forma, não podemos garantir conformidade integral. O conteúdo deste manual é revisto com regularidade, e as correções são incluídas em edições posteriores. Todas as sugestões de aprimoramento são bem-vindas.

Os dados técnicos estão sujeitos a alterações.

MILLTRONICS é uma marca comercial registrada da Siemens Milltronics Process Instruments Inc.

Instruções de segurança

As mensagens de advertência devem ser observadas para garantir sua segurança pessoal bem como a de terceiros e para proteger o produto e o equipamento associado. Estas mensagens de advertência são acompanhadas por uma explicação acerca do nível de cuidado a ser observado.



ADVERTÊNCIA: refere-se a um símbolo de advertência no produto e significa que o não cumprimento das precauções necessárias pode resultar em morte, ferimentos graves e/ou danos materiais consideráveis.



ADVERTÊNCIA: significa que o não cumprimento das precauções necessárias pode resultar em morte, ferimentos graves e/ou danos materiais consideráveis.

CUIDADO: significa que o não cumprimento das precauções necessárias pode resultar em danos materiais consideráveis.

Observação: significa informações importantes acerca do produto ou dessa parte do manual de operações.

Reparo da Unidade e Exclusões de Responsabilidade

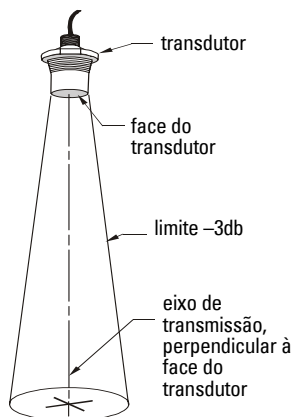
- O usuário é responsável por todas as alterações e reparos realizados no dispositivo pelo próprio usuário ou por seu representante.
- Todos os componentes novos devem ser fornecidos pela Siemens Milltronics Process Instruments Inc.
- Reparos limitados apenas a componentes defeituosos.
- Não reutilize componentes defeituosos.

Introdução

O transdutor ST-H funciona com produtos de monitoramento de nível ultra-sônico da Siemens Milltronics.

O transdutor converte a energia elétrica do pulso transmitido pelo transmissor-receptor em energia acústica. Em seguida, converte a energia acústica do eco novamente em energia elétrica para o controlador.

A face do transdutor emite energia acústica que se irradia para o exterior, diminuindo de amplitude na razão inversa do quadrado da distância. A energia máxima é irradiada perpendicularmente a partir da face do transdutor no eixo de transmissão. Onde a energia é reduzida pela metade (-3 dB), um limite cônico centrado em torno do eixo de transmissão define o feixe de som, cujo diâmetro é o ângulo de feixe.



Os transdutores ST-H têm um sensor de temperatura integrado que transmite o valor da temperatura do ar no transdutor para o controlador.

Instruções Gerais



ADVERTÊNCIA: Os materiais de construção são escolhidos com base em sua compatibilidade química (ou inatividade) para finalidades gerais. Para exposição a ambientes específicos, verifique as tabelas de compatibilidade química antes da instalação.

Observação: Este produto é para ser usado em áreas industriais. A operação com este equipamento numa área residencial pode causar interferências a várias comunicações à base de frequência.

Instruções específicas para instalações em zonas perigosas

(Consulte a Diretiva Europeia ATEX 94/9/CE, Anexo II, 1/0/6)

As seguintes instruções referem-se ao equipamento abrangido pelo número de certificado BAS 99ATEX2298X.

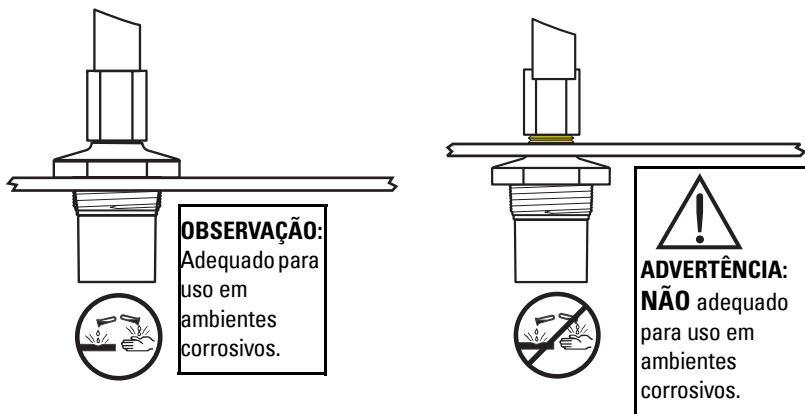
1. O equipamento pode ser utilizado com gases e vapores inflamáveis com Dispositivos do Grupo II e classe de temperatura T5.
2. O equipamento está certificado para uso numa temperatura ambiente na gama de -20 °C a +60 °C.
3. O equipamento não foi avaliado como um dispositivo relacionado com segurança conforme mencionado na Diretiva da Comunidade Europeia 94/9/EC, Anexo II, cláusula 1.5.
4. O certificado tem um sufixo 'X', que indica que se aplicam condições especiais de instalação e uso. Quem for instalar ou inspecionar este equipamento deve ter acesso ao conteúdo do certificado.
5. O transdutor não possui nenhum fusível interno ou quaisquer outros componentes que garantam sua adequabilidade para conexão a uma corrente de curto-circuito esperada de 4000A. O transdutor deve ser alimentado a partir de dispositivos adequados para conexão a uma alimentação que tenha uma corrente de curto-circuito esperada, não excedendo 4000A. Essa condição é satisfeita pelos emissores-receptores da Siemens Milltronics.
6. A instalação e inspeção deste equipamento deverão ser efetuadas por pessoal com treinamento adequado, de acordo com o código de práticas aplicável (EN 60079-14 e EN 60079-17 na Europa).
7. O reparo deste equipamento deverá ser efetuado por pessoal com treinamento adequada, de acordo com o código de práticas aplicável (por exemplo, EN 60079-19 na Europa).
8. Os componentes a serem incorporados ou utilizados como componentes de substituição no equipamento devem ser instalados por pessoal com treinamento adequado, de acordo com a documentação do fabricante.
9. A certificação deste equipamento depende dos seguintes materiais utilizados em sua construção:
 - Composto de ligação Norton Performance Plastics Chemgrip
 - Material da embalagem ETFE
 - Material da embalagem PVDF
 - Encapsulante Master Bond Polysulphide EP21LPT ou Dow-Corning 3-4207
 - Encapsulante Cotronics Durapot 861-F3
 - Encapsulante Cotronics Durapot 864

Se houver probabilidade de o equipamento entrar em contato com substâncias agressivas, tais como solventes que possam afetar os materiais poliméricos, é da responsabilidade do usuário tomar as precauções adequadas para evitar que o equipamento seja adversamente afetado. É importante realizar inspeções de rotina e determinar, com base nas folhas de dados de materiais, que o transdutor é resistente aos produtos químicos utilizados na aplicação.

Precauções de Segurança

O corpo do transdutor ST-H é um projeto de duas peças moldadas em PVDF ou ETFE com as partes internas embebidas em epóxi. A junta entre as seções superior e inferior não é uma vedação hermética. A integridade estrutural do transdutor ficará comprometida se a junta for exposta a um ambiente que ataque o epóxi. Como resultado, a seção superior será separada do corpo principal do transdutor.

Para ambientes compatíveis com PVDF ou ETFE que possam degradar o epóxi, o transdutor deve ser montado através de uma flange ou acessório de separação usando a rosca de 2" da seção inferior do transdutor. A junta entre as seções superior e inferior do transdutor deve ficar isolada do ambiente corrosivo.



Se a seção superior se separar do corpo principal do transdutor, o circuito com corrente ficará exposto ao ambiente perigoso, aumentando o risco de uma explosão se pós ou gases voláteis ou explosivos atingirem suficiente concentração. Da mesma forma, pode ocorrer mau funcionamento do sistema de nível, o que pode afetar o processo que utiliza o sistema de controle ultrassônico.

Especificações

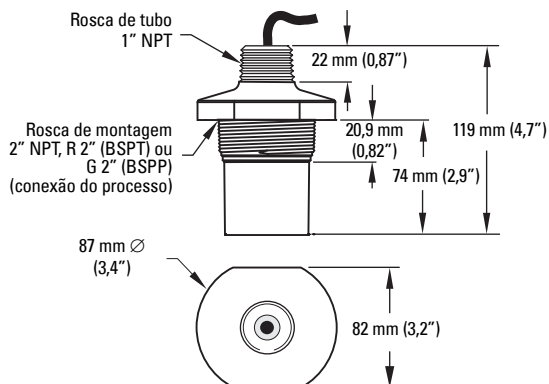
Transdutor ST-H	
Intervalo de Medição	0,3 - 10 m (1-33 pés)
Pressão	ventilado para a atmosfera
Fonte de Alimentação	os transdutores devem ser fornecidos apenas por controladores certificados pela Siemens Milltronics
Frequência	44 kHz
Ângulo do Feixe	12°
Peso*	1,4 kg (3 libras)
Separação	365 m (1.200 pés) a partir do emissor-receptor
Ambientais	
Localização	interior/exterior
Altitude	2000 m (máxima)
Temperatura Ambiente	-20 a +60 °C (-5 a +140 °F) (modelo aprovado pela ATEX) -40 a +73 °C (-40 a +163 °F) (modelo aprovado pela CSA/FM)
Construção	
Embalagem	Base e tampa em PVDF ou ETFE (junta ligada a epóxi)**
Montagem	Conexão do processo 2" NPT (Tampão), R 2" (BSPT) ou G 2" (BSPP)
Cabo	Cabo de 2 condutores blindado/trançado, 0,519 mm ² (20 AWG) isolamento de PVC
Opções	<ul style="list-style-type: none">• adaptador de flange, consulte as instruções associadas• acoplamento submersível, consulte as instruções associadas
Aprovações	CE***, FM, ATEX, C-TICK, INMETRO, CSA (somente ETFE)

* Peso aproximado de envio do transdutor com comprimento padrão de cabo.

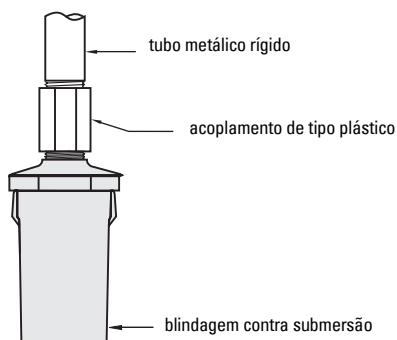
** Para aplicação química, verifique a compatibilidade do ETFE ou PVDF e epóxi ou monte uma junta externa ao processo.

*** Performance disponível mediante solicitação.

Esboço e Dimensões

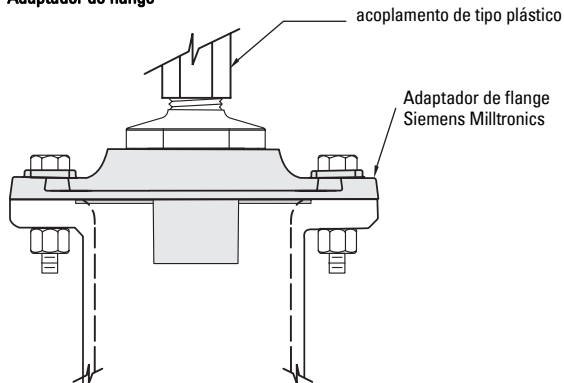


Submersível



Transdutor submersível, utilizado em aplicações com possibilidade de inundação.

Adaptador de flange

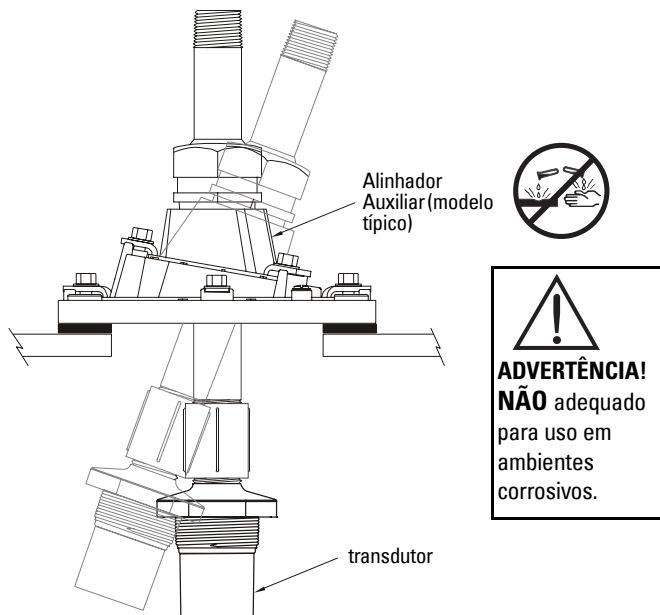


Montagem

- Não monte o transdutor diretamente para o metal. Utilize um acoplamento de tipo plástico e um bocal de isolamento (fornecido pelo cliente).
- Monte o transdutor para que fique **acima do nível máximo do material, no mínimo, com o valor de supressão**. Consulte o manual associado do controlador.
- Em aplicações com líquidos, o transdutor deve ser montado de forma que o eixo da transmissão fique perpendicular à superfície do líquido. Para reservatórios com topo para parabólica, um Easy Aimer pode ser utilizado para montar a face do transdutor perpendicular à superfície do líquido.
- Em aplicações com sólidos, use um alinhador auxiliar Siemens Milltronics para alinhar o transdutor.
- Nos casos em que transdutor for montado para um tubo de suporte, a superfície interior e a extremidade do tubo devem ser lisas e sem rebarbas, sulcos e costuras.
- Considere o sensor de temperatura opcional ao montar o transdutor.
- Não aperte a montagem em excesso. Basta apertar manualmente o equipamento de montagem.

Montagem – Aplicações com Sólidos

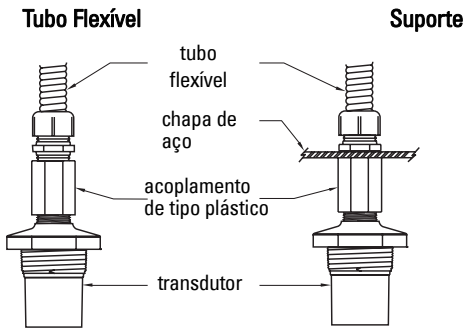
Aplicações Não Corrosivas



Em aplicações com sólidos, monte o transdutor de forma que fique alinhado em direção ao ponto de extração de nível baixo. Utilize o Alinhador Auxiliar Siemens Milltronics opcional para facilitar esta montagem.

Montagem – Aplicações com Líquidos

Aplicações Não Corrosivas



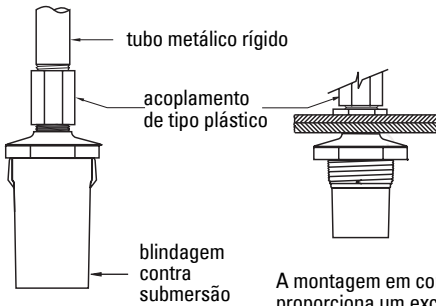
Os transdutores montados em tubo flexível não devem ser sujeitos a ventos, vibrações ou choques.



ADVERTÊNCIA!
NÃO adequado para uso em ambientes corrosivos.

Submersível

Compensado

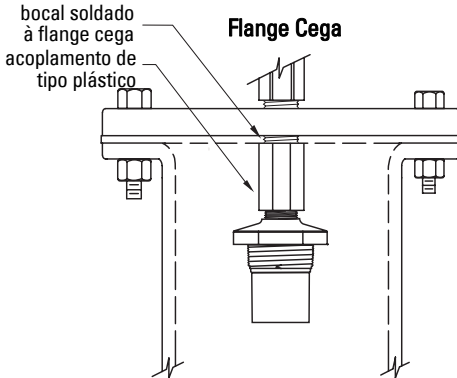


Transdutor submersível, utilizado em aplicações nos casos em que inundações sejam possíveis.

A montagem em compensado proporciona um excelente isolamento, mas deve ser suficientemente rígida para evitar a flexão, se sujeita a carga.



ADVERTÊNCIA!
NÃO adequado para uso em ambientes corrosivos.



Flange, junta e ferragens fornecidas pelo cliente.

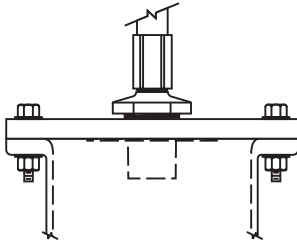


ADVERTÊNCIA!
NÃO adequado para uso em ambientes corrosivos.

Montagem – Aplicações com Líquidos

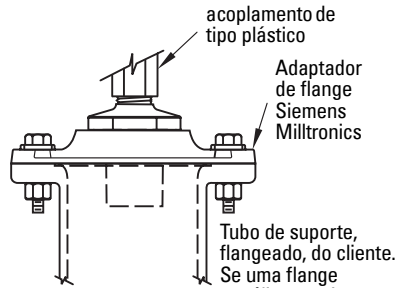
Aplicações Corrosivas

Flange Cega



Flange, junta e ferragens fornecidas pelo cliente.

Flangeado



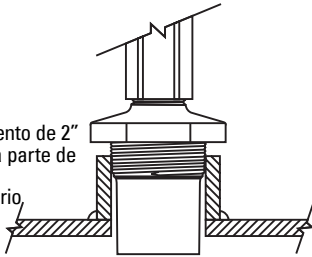
acoplamento de tipo plástico

Adaptador de flange Siemens Milltronics

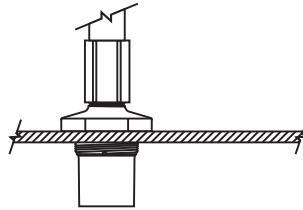
Tubo de suporte, flangeado, do cliente. Se uma flange metálica precisar ser soldada ao tubo, consulte o *Manual de Aplicações dos Transdutores* disponível em www.siemens.com/processautomation

Acoplamento

Acoplamento de 2" soldado à parte de cima do reservatório



Acoplamento



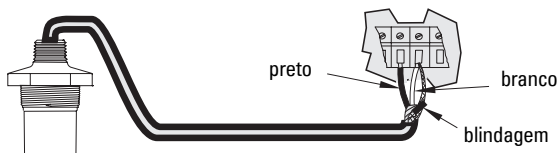
Interligação

Observação: A instalação só deverá ser efetuada por pessoal qualificado e em conformidade com os regulamentos locais vigentes.

- Para um isolamento ideal contra ruído elétrico, instale o cabo separadamente em tubo metálico ligado à terra sem qualquer outro cabo (exceto do sensor de temperatura). Ligue a blindagem à terra apenas no emissor-receptor. Isole a blindagem nas junções para impedir ligações acidentais à terra.
- Vede todas as conexões roscadas para impedir a entrada de umidade.
- Não roteie o cabo em espaços abertos.
- Não instale o cabo próximo de circuitos de alta tensão ou corrente, contadores e acionadores de controle SCR.

Conexão Direta

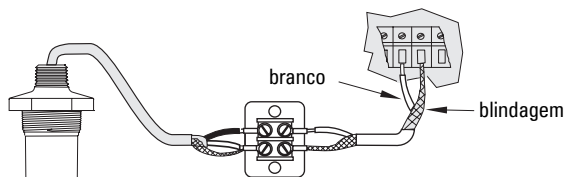
Ligue o transdutor diretamente ao emissor-receptor Milltronics por meio de um cabo blindado, de dois condutores.



Observação: Ao conectar a um SITRANS LUC500, um MultiRanger 100/200 ou a um HydroRanger 200, os fios branco, preto e blindados são todos conectados separadamente. NÃO coloque os fios branco e a blindagem juntos.

Extensão Coaxial

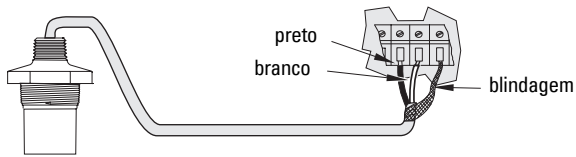
Conecte o transdutor ao emissor-receptor Siemens Milltronics por meio de uma caixa de ligação e um cabo coaxial RG-62 A/U. Essa configuração é eficaz para extensões combinadas de até 365 m (1200 pés).



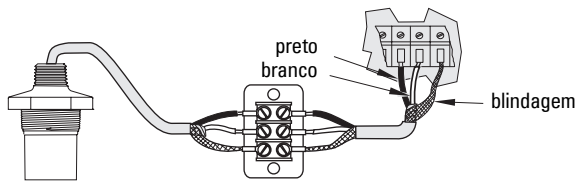
Extensão usando cabo coaxial RG-62 A/U

Observação: Ao conectar a um SITRANS LUC500, um MultiRanger 100/200 ou a um HydroRanger 200, NÃO use cabo coaxial; consulte o diagrama abaixo quanto ao procedimento adequado.

Terminal Direto 3*



Extensão Terminal 3*



Extensão usando par trançado/blindado 0,823 mm² (18 AWG)

* Apenas para SITRANS LUC500, MultiRanger 100/200 e HydroRanger 200.

ST-H-käyttöopas

Tämä opas kertoo ST-H-sarjan antureiden ominaisuuksista ja toiminnoista. *Anturisovellusten opas* on ladattavissa vapaasti verkkosivuiltamme osoitteesta www.siemens.com/processautomation. Painetun version voit ostaa paikalliselta Siemens Milltronics -edustajaltasi.

Tämän oppaan sisältöä koskevia asioita voi tiedustella osoitteesta:

Siemens Milltronics Process Instruments Inc.
1954 Technology Drive, P.O. Box 4225
Peterborough, Ontario, Canada, K9J 7B1
Sähköposti: techpubs.smpi@siemens.com

**Copyright Siemens Milltronics Process
Instruments Inc. 2004.
Kaikki oikeudet pidätetään**

Vastuuvapauslauseke

Kehotamme käyttäjiä hankkimaan oppaan hyväksytyin painetun laitoksen tai tutustumaan Siemens Milltronics Process Instruments Inc:n laatimaan ja hyväksymään sähköiseen versioon. Siemens Milltronics Process Instruments ei vastaa osittain tai kokonaan kopioitujen painettujen tai sähköisten versioiden sisällöstä.

Tämän oppaan sisältö on tarkistettu vastaamaan kuvattua laitteistoa, mutta muutokset ovat mahdollisia. Tämän vuoksi valmistaja ei voi taata täydellistä yhtäpitävyyttä. Tämän oppaan sisältöä tarkistetaan säännöllisesti ja korjaukset sisällytetään seuraaviin painoksiin. Otamme parannusehdotuksia mielellämme vastaan.

Teknisiin tietoihin saattaa tulla muutoksia.

MILLTRONICS on Siemens Milltronics Process Instruments Inc:n rekisteröity tavaramerkki.

Turvaohjeet

Annettuja varoituksia on noudatettava käyttäjään ja muihin henkilöihin kohdistuvien henkilövahinkojen sekä tuotteen ja siihen kytkettyjen varusteiden laitevahinkojen välttämiseksi. Varoitusten yhteydessä ilmoitetaan myös vaaratasosta.



VAROITUS: Varoitus liittyy tuotteen varoitussymboliin. Varoituksen huomiotta jättäminen saattaa aiheuttaa hengenvaaran, vakavia ruumiinvammoja ja merkittäviä aineellisia vahinkoja.



VAROITUS: Varoituksen huomiotta jättäminen saattaa aiheuttaa hengenvaaran, vakavia ruumiinvammoja ja merkittäviä aineellisia vahinkoja.

HUOMIOITAVAA: Tämän huomautuksen huomiotta jättäminen saattaa aiheuttaa merkittäviä aineellisia vahinkoja.

Huomautus: Huomautuksissa on tärkeitä tuotteeseen tai käyttöoppaaseen liittyviä tietoja.

Laitteen korjaaminen ja vastuuvapauslauseke

- Käyttäjä on vastuussa kaikista muutoksista ja korjauksista, joita se tai sen edustaja tekee laitteelle.
- Kaikki uudet osat on hankittava Siemens Milltronics Process Instruments Inc:ltä.
- Korjaa ainoastaan vialliset osat.
- Älä käytä viallisia osia uudelleen.

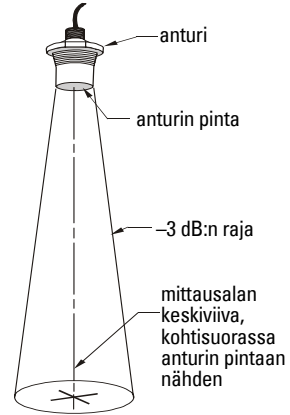
Johdanto

ST-H-anturia käytetään Siemens Milltronicsin ultraäänitoimisten pintamittarien kanssa.

Anturi muuntaa lähetin-vastaanottimen tuottaman sähköisen mittauspulssin energian akustiseksi energiaksi. Sen jälkeen se muuntaa kaiun akustisen energian takaisin sähköenergiaksi ohjainta varten.

Anturin pinta lähettää ulospäin säteilevää akustista energiaa, jonka amplitudi pienenee käänteisessä suhteessa etäisyyden neliöön. Suurin säteilyteho kohdistuu anturin pinnasta kohtisuoraan mittausalan keskiviivaan. Alue, jolla teho pienenee puoleen (–3 dB), muodostaa mittausalan keskiviivan ympärille keilan, joka määrittelee ultraäänen mittaussäteen ja jonka halkaisija on säteen kulma.

ST-H-antureissa on integroitu lämpötilan mittapää, joka lähettää tiedon anturia ympäröivän ilman lämpötilasta ohjaimelle.



Yleiset periaatteet



VAROITUS: Rakenneaineet valitaan yleisiin käyttötarkoituksiin niiden kemiallisen yhteensopivuuden (eli reagoimattomuuden) perusteella. Erityisympäristöille altistuvissa sovelluksissa kemiallinen yhteensopivuus on tarkistettava taulukoista ennen asennusta.

Huomautus: Tämä tuote on tarkoitettu käytettäväksi teollisuustiloissa. Laitteen käyttäminen asuinalueilla saattaa aiheuttaa häiriöitä monenlaiseseen radiotaajuuksia käyttävään viestintään.

Räjähdyshaarallisten tilojen asennusta koskevat ohjeet (ATEX-direktiivi 94/9/EY, liite II, kohta 1/0/6)

Seuraavat ohjeet koskevat sertifiikaatin BAS 99ATEX2298X mukaisia laitteita.

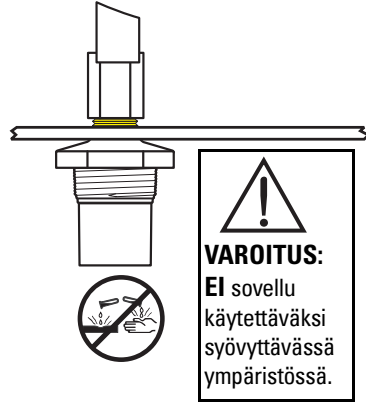
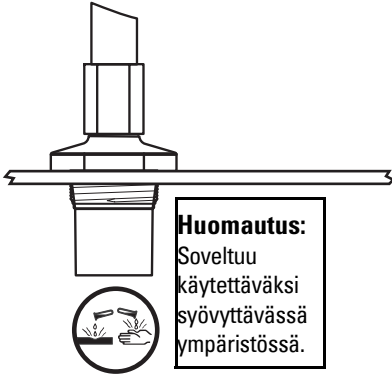
1. Laitetta voi käyttää syttyvien kaasujen ja höyryjen yhteydessä sähkölaiteryhmän II laitteiden kanssa lämpötilaluokassa T5.
2. Laitte on sertifioitu käytettäväksi -20 °C – $+60\text{ °C}$:n ympäristön lämpötilassa.
3. Laitetta ei ole luokiteltu direktiivin 94/9/EY liitteen II kohdan 1.5 mukaisesti turvallisuuteen myötävaikuttavaksi laitteeksi.
4. X-pääte sertifiointinumerossa tarkoittaa, että laitteen asennukseen ja käyttöön sovelletaan erikoisehtoja. Laitetta asentavien tai tarkastavien henkilöiden on voitava tarkistaa tarkastustodistuksen sisältö.
5. Anturissa ei ole sisäistä sulaketta eikä muita osia, millä varmistetaan sen soveltuvuus liitettäväksi prospektiiviselta oikosulkuvirraltaan 4000 A:n piiriin. Anturin virransyöttöön käytettävän laitteiston on sovelluttava liitettäväksi prospektiiviselta oikosulkuvirraltaan enintään 4000 A:n tehollisuuteen. Siemens Milltronicsin lähetin-vastaanottimet täyttävät tämän edellytyksen.
6. Tämän laitteen saa asentaa ja tarkistaa vain koulutettu henkilö sovellettavan standardin (Euroopassa EN 60079-14 ja EN 60079-17) mukaisesti.
7. Tämän laitteen saa korjata vain koulutettu henkilö sovellettavan standardin (Euroopassa esim. EN 60079-19) mukaisesti.
8. Laitteeseen liitettävät tai vaihdettavat osat saa asentaa vain koulutettu henkilö valmistajan ohjeiden mukaisesti.
9. Laitteen sertifiointi perustuu seuraaviin laitteessa käytettyihin materiaaleihin:
 - Norton Performance Plastics Chemgrip -asennustiiviste
 - ETFE -koteloimateriaali
 - PVDF -koteloimateriaali
 - Master Bond Polysulphide EP21LPT vai Dow-Corning 3-4207 -kapselointi
 - Cotronics Durapot 861-F3 -kapselointi
 - Cotronics Durapot 864 -kapselointi

Jos laite joutuu todennäköisesti kosketuksiin voimakkaasti reagoivien aineiden kuten polymeereihin mahdollisesti vaikuttavien liuottimien kanssa, käyttäjän on varmistettava, että kyseiset aineet eivät pääse heikentämään laitteen suojausta. On tärkeää tarkistaa laite säännöllisesti ja varmistaa, että laitteen materiaalit kestävät sovelluksessa käytettäviä kemikaaleja.

Varotoimet

ST-H-anturin runko on valettu kahtena osana PVDF- tai ETFE-materiaalista, ja sisäosat on koteloitu epoksiin. Ylä- ja alaosan välinen sauma ei ole ilmatiiviisti suljettu. Anturin rakenteen eheys vaarantuu, jos sauma joutuu ympäristöön, joka syövyttää epoksia. Tällöin yläosa irtaoo anturin päärungosta.

Jos ympäristö soveltuu PVDFille tai ETFE:lle mutta ei välttämättä epoksille, anturin asennuksessa on käytettävä laippaa tai jatketta anturin alaosan 2":n kierteessä. Anturin ylä- ja alaosan välinen sauma on eristettävä syövyttävästä ympäristöstä.



Jos anturin yläosa irtaoo rungon päärungosta, jännitteelliset piirit altistuvat räjähdysvaaralliselle ympäristölle. Tämä lisää räjähdysvaaraa, mikäli haihtuvan tai räjähdysvaarallisen pölyn tai kaasun pitoisuus on riittävän suuri. Myös tasonkorkeuden valvontajärjestelmässä voi esiintyä häiriöitä, jolloin ultraäänisäätelyyn perustuva järjestelmä ei toimi.

Tekniset tiedot

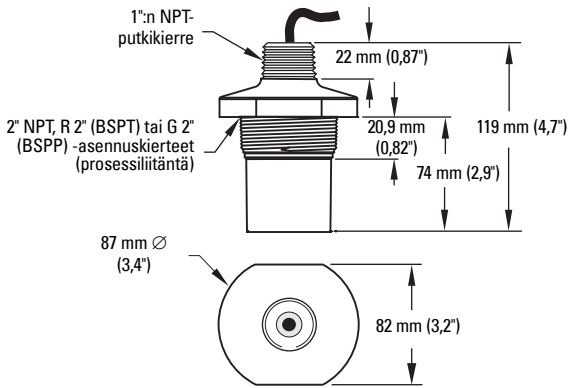
ST-H-anturi	
Mittausalue	0,3–10 m (1–33 ft)
Paine	Ilmakehään avautuva
Teholähde	anturin tehollähteenä saa käyttää ainoastaan Siemens Milltronicsin sertifioitua ohjainta.
Taajuus	44 kHz
Säteen kulma	12°
Paino*	1,4 kg (3 naulaa)
Etäisyys	365 m (1200 ft) lähetin-vastaanottimesta
Ympäristötiedot	
Paikka	sisällä/ulkona
Korkeus	2000 m (enintään)
Ympäristön lämpötila	-20 – +60 °C (-5 – +140 °F) (ATEX-hyväksytty malli) -40 – +73 °C (-40 – +163 °F) (CSA/FM-hyväksytty malli)
Rakenne	
Kotelo	PVDF- tai ETFE-pohja ja -kansi (epoksisaumattu)**
Asennus	2" NPT (National Pipe Taper), R 2" (BSPT) tai G 2" (BSPP) - prosessiliitäntä
Kaapeli	kaksijohtiminen suojattu/kierretty, 0,519 mm ² (20 AWG), PVC-vaippa
Vaihtoehdot	<ul style="list-style-type: none">laipan sovitin, ks. asianomaiset ohjeetupotusliitin, ks. asianomaiset ohjeet
Hyväksynnät	CE***, FM, ATEX, C-TICK, INMETRO, CSA (vain ETFE)

* Vakioipituisella kaapelilla varustetun anturin likimääräinen toimituspaino.

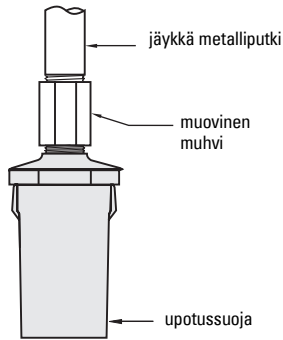
** ETFE:n ja tai PVDFin ja epoksin sopivuus kemikaaleja sisältäviin sovelluksiin on tarkistettava tai käytettävä prosessinulkoista asennusta.

*** Suorituskykyä koskevat tiedot saatavilla pyynnöstä.

Muoto ja mitat

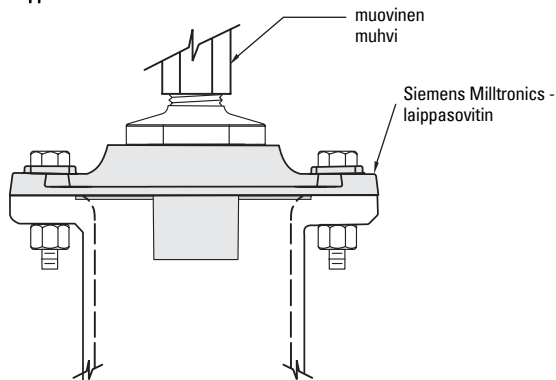


Uppoasennus



Syväasennettava anturi sovelluksiin, joissa anturi voi jäädä aineen sisään.

Laippasovitin

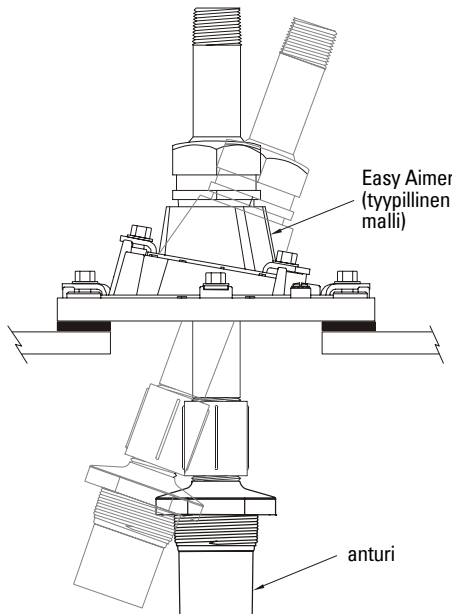


Asennus

- Älä asenna anturia suoraan metalliin. Käytä eristykseen muovinen-muhvia ja jatkokappaletta (asiakkaan itse hankittava).
- Asenna anturi niin, että se on **ainakin toimintatilan arvon verran aineen pinnan enimmäiskorkeuden yläpuolella**. Katso lisätietoja asianomaisen ohjaimen oppaasta.
- Nestesovelluksissa anturi on asennettava niin, että mittausalan keskiviiva on kohtisuorassa nestepintaan nähden. Yläosastaan parabolin muotoisissa säiliöissä anturin pinta voidaan asentaa Easy Aimer -laitteen avulla kohtisuoraan nestepintaan nähden.
- Käytä kiintoainesovelluksissa anturin kohdistamiseen Siemens Milltronics Easy Aimer -laitetta.
- Jos anturi asennetaan pystyputkeen, pystyputken sisäpinnan ja muhvin on oltava tasainen ja purseeton, saumaton ja hitsiton.
- Muista valinnaisen lämpötilan mittapään käyttö anturia asentaessasi.
- Älä kiristä asennusta liian tiukkaan. Asennettavan laitteen kiristys käsin riittää.

Asennus – kiintoainesovellukset

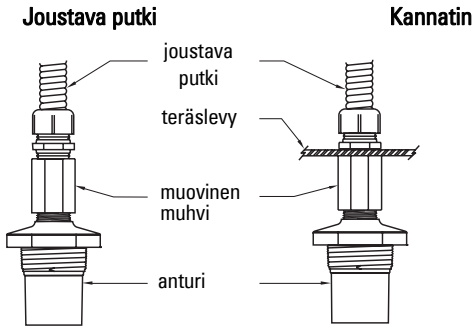
Syövyttämättömät sovellukset



Asenna anturi kiintoainesovelluksissa niin, että se osoittaa kohti matalan tason katkaisukohtaa. Käytä asennusta helpottavaa valinnaista Siemens Milltronics Easy Aimer -laitetta.

Asennus – nestesovellukset

Syövyttämättömät sovellukset

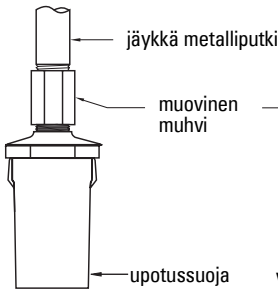


Joustavaan putkeen asennettu anturi ei saa olla alttiina tuulelle, värähtelylle eikä tärinälle.



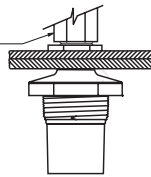
VAROITUS:
EI sovellu käytettäväksi syövyttävässä ympäristössä.

Uppoasennus



Uppoasennettava anturi sovelluksiin, joissa anturi voi jäädä aineen sisään.

Vaneri

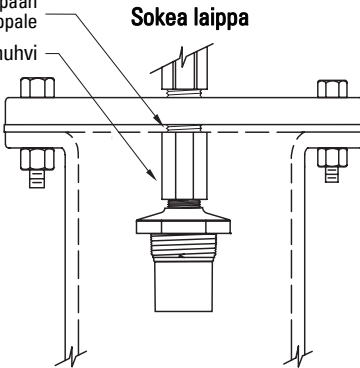


Vaneriasennus tarjoaa erinomaisen eristyksen, mutta sen on oltava riittävän jäykkä, ettei se taivu kuormitettuna.



VAROITUS:
EI sovellu käytettäväksi syövyttävässä ympäristössä.

sokeaan laippaan hitsattu jatkokappale
muovinen muhvi



Laippa, tiiviste ja tarvikkeet hankittava erikseen

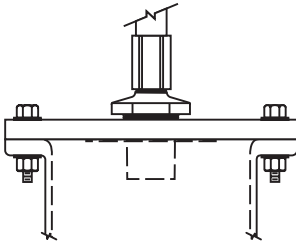


VAROITUS:
EI sovellu käytettäväksi syövyttävässä ympäristössä.

Asennus – nestesovellukset

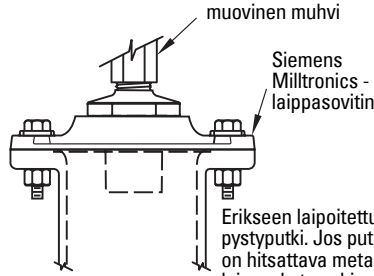
Syövyttävät sovellukset

Sokea laippa



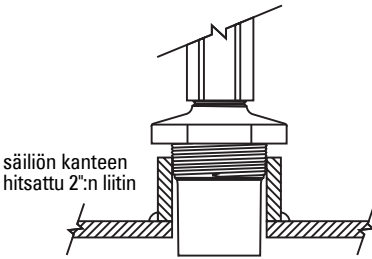
Laippa, tiiviste ja tarvikkeet hankittava erikseen

Laippa-asennus

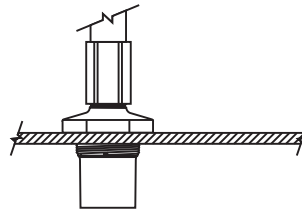


Erikseen laipoitettu pystyputki. Jos putkeen on hitsattava metallinen laippa, katso ohjeet *Anturisovellusten oppaasta*, joka on saatavissa osoitteesta www.siemens.com/processautomation

Liitin



Liitin



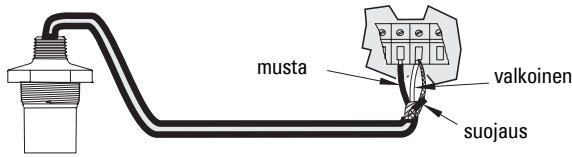
Liitântä

Huomautus: Asennuksen saa suorittaa ainoastaan asiantunteva henkilöstö ja asennuksessa on noudatettava paikallisia määräyksiä.

- Kaapeli eristetään tehokkaimmin sähköiseltä kohinalta viemällä se yksinään maadoitetussa metallijohdossa, jossa ei ole muita kaapeleita (lämpötila-anturin kaapelia lukuun ottamatta). Maadoita suoja ainoastaan lähetin-vastaanottimen päästä. Eristä suoja liitoskohdissa, jottei se maadoitu vahingossa.
- Tiivistä kaikki kierrelitännät, ettei kosteus pääse asennukseen.
- Älä vie kaapelia paljaana.
- Älä vie kaapelia lähelle suurjännite- tai virtajohtimia, kontakteja tai tyristorihajimia.

Suora liitäntä

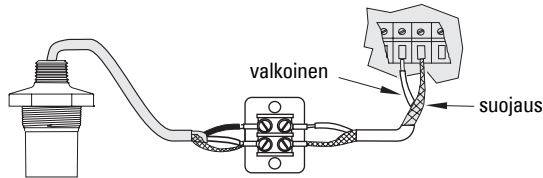
Liitä anturi suoraan Milltronics-lähetin-vastaanottimeen kaksijohtimisella suojatulla kaapelilla.



Huomautus: Liitettäessä anturia SITRANS LUC500-, MultiRanger 100/200- tai HydroRanger 200 -laitteeseen kaapelin musta johdin, valkoinen johdin ja suojausjohdin on kaikki liitettävä erikseen. ÄLÄ YHDISTÄ valkoista johdinta ja suojausjohdinta keskenään.

Koaksiaalijatke

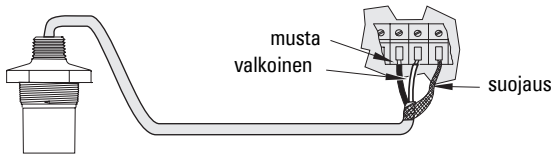
Liitä anturi Siemens Milltronics -lähetin-vastaanottimeen käyttämällä asennusrasiaa ja RG-62 A/U -koaksiaalikaapelia. Tämä järjestely sopii yhdistelmäjohtotuksiin, joiden pituus on enintään 365 m (1200 ft).



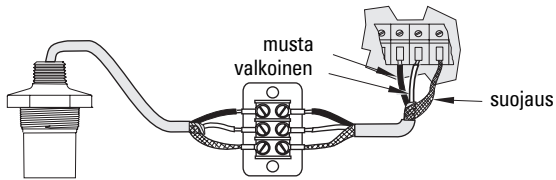
Jatka kaapelia käyttäen RG-62 A/U -koaksiaalikaapelia

Huomautus: Liitettäessä anturia SITRANS LUC500-, MultiRanger 100/200- ja HydroRanger 200 -laitteisiin EI SAA käyttää koaksiaalikaapelia. Katso oikea menettely alla olevasta kaaviosta.

3-napainen suora liitäntä*



3-napainen jatke*



Jatka kaapelia käyttämällä 0,823 mm²:n (18 AWG:n) suojattua/kierrettyä parikaapelia.

* Ainoastaan SITRANS LUC500, MultiRanger 100/200 ja HydroRanger 200.

Denna manual ger en översikt över de viktigaste egenskaperna och funktionerna för ST-H Transducerserierna. *Manualen för Transducertillämpningar* finns tillgänglig för gratis nedladdning från vår webbsida: www.siemens.com/processautomation. En tryckt version kan köpas från er lokala representant för Siemens Milltronics.

Frågor angående innehållet i denna manual kan sändas till:

Siemens Milltronics Process Instruments Inc.
1954 Technology Drive, P.O. Box 4225
Peterborough, Ontario, Kanada, K9J 7B1
E-post: techpubs.smpi@siemens.com

Copyright Siemens Milltronics Process Instruments Inc. 2004. Med ensamrätt	Ansvarsbegränsning
Vi råder användare att skaffa sig auktoriserade inbundna handböcker, eller att konsultera av Siemens Milltronics Process Instruments Inc. framtagna och utgivna elektroniska versioner. Siemens Milltronics Process Instruments Inc. ansvarar inte för innehållet i ofullständiga eller kompletta kopior av inbundna eller elektroniska versioner.	Trots att vi kontrollerat att innehållet i denna handbok överensstämmer med beskriven instrumentering, kan avvikelser förekomma. Därför kan vi inte garantera full överensstämmelse. Innehållet i denna handbok revideras regelbundet och ändringar tas med i följande versioner. Vi välkomnar alla förslag till förbättringar. Tekniska data kan komma att ändras utan föregående varsel.

MILLTRONICS är ett registrerat varumärke för Siemens Milltronics Process Instruments Inc.

Riktlinjer för säkerhet

Varningsnotiser måste efterlevas för att din personliga och andras säkerhet skall kunna säkerställas samt skydda produkten och ansluten utrustning. Dessa varningsnotiser åtföljs av anvisningar om den säkerhetsnivå som skall upprätthållas.



WARNING: berör en varningssymbol på produkten. Den innebär att underlåtenhet att efterfölja nödvändiga föreskrifter kan orsaka dödsfall, svår kroppsskada och/eller stor materiell skada.



WARNING: innebär att underlåtenhet att efterfölja nödvändiga föreskrifter kan orsaka dödsfall, svår kroppsskada och/eller stor materiell skada.

WARNING: innebär att underlåtenhet att efterfölja nödvändiga föreskrifter kan orsaka stor materiell skada.

Anmärkning: innebär viktig information om produkten eller denna del av användarmanualen.

Reparation och ansvarsbegränsning

- Användaren är ansvarig för alla ändringar och reparationer som utförs på apparaten av användaren eller av användarens representant.
- Alla nya komponenter skall levereras av Siemens Milltronics Process Instruments Inc.
- Reparation skall endast omfatta reparation av bristfälliga komponenter.
- Använd aldrig bristfälliga komponenter på nytt.

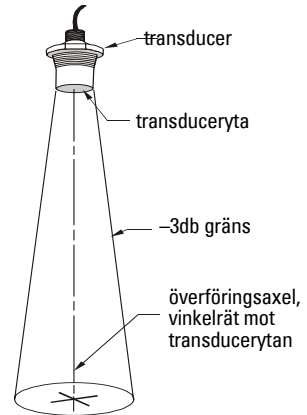
Inledning

ST-H-transducern används med Siemens Milltronics produkter för nivåövervakning med ultraljudsteknik.

Transducern omvandlar den elektriska energin i transceiverns överföringspuls till akustisk energi. Den omvandlar sedan den akustiska energin från ekot tillbaka till elektrisk energi för styrenheten.

Transducerytan utsänder akustisk energi som strålar utåt, med en amplitud som minskar omvänt proportionellt mot kvadraten på avståndet. Maximal effekt strålar ut vinkelrätt från transducerytan på överföringsaxeln. Där effekten minskat till hälften (-3 dB), definierar en konisk gräns centrerad kring överföringsaxeln, ljusstrålen, vars diameter är strålvinkeln.

ST-H-transducern har en integrerad temperatursensor som känner av och meddelar lufttemperaturen vid transducern till styrenheten.



Allmänna riktlinjer



VARNING: Konstruktionsmaterial väljs på basis av sin kemiska kompatibilitet (eller låga reaktionsbenägenhet) för allmänna ändamål. Om speciella miljöförhållanden råder, kontrollera i kemiska kompatibilitetstabeller före installation.

Anmärkning: Denna produkt är avsedd för användning i industriområden. Drift av denna utrustning i ett bostadsområde kan förorsaka störningar av flera frekvensbaserade kommunikationer.

Instruktioner som gäller installation på riskabla platser (Referens Europeiska ATEX-direktivet 94/9/EC, Bilaga II, 1/0/6)

Följande anvisningar gäller för utrustning som täcks av intyg nummer BAS 99ATEX2298X.

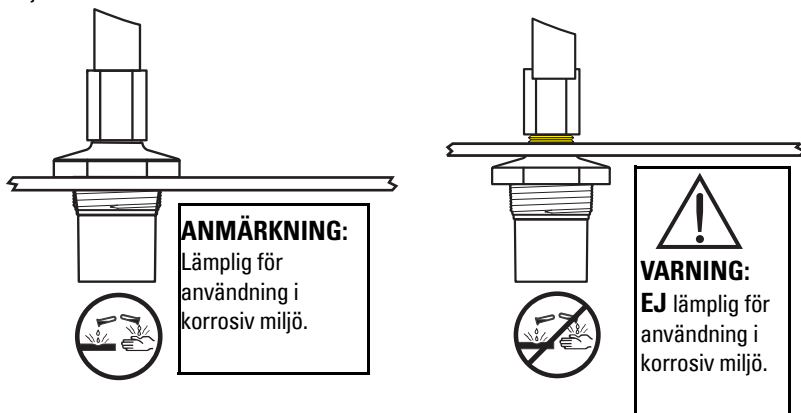
1. Utrustningen kan användas med antändbara gaser och ångor med apparatgrupp II och temperaturklass T5.
2. Utrustningen är certifierad för användning inom ett temperaturområde från -20 °C till +60 °C.
3. Utrustningen har inte bedömts som en säkerhetsrelaterad utrustning enligt meningen i direktiv 94/9/EC Bilaga II, klausul 1.5.
4. Certifikatet har ett 'X'-suffix, som anger att det gäller speciella villkor för installation och användning. De som installerar eller inspekterar utrustningen måste ges tillgång till certifikatets innehåll.
5. Transducern har ingen intern säkring eller några andra komponenter som garanterar dess lämplighet för anslutning till en förväntad kortslutningsström på 4000A. Transducern måste matas från en apparat som lämpar sig för anslutning till en strömkälla med en förväntad kortslutningsström som inte överskrider 4000A. Detta villkor uppfylls av Siemens Milltronics transceivrar.
6. Installation och inspektion av denna utrustning skall utföras av lämpligt utbildad personal i enlighet med tillämpliga delar av arbetspraxis (EN 60079-14 och EN 60079-17 inom Europa).
7. Reparation av denna utrustning av denna utrustning skall utföras av lämpligt utbildad personal i enlighet med tillämpliga delar av arbetspraxis (t.ex. EN 60079-19 inom Europa).
8. De komponenter som skall byggas in i eller användas som reservdelar i utrustningen skall monteras av lämpligt utbildad personal i enlighet med tillverkarens dokumentation.
9. Certifieringen av denna utrustning förutsätter att följande material använts vid dess tillverkning:
 - Norton Performance Plastics Chemgrip bindemedel
 - ETFE material för ytterhölje
 - PVDF material för ytterhölje
 - Master Bond Polysulphide EP21LPT eller Dow-Corning 3-4207 inkapslingsmedel
 - Cotronics Durapot 861-F3 inkapslingsmedel
 - Cotronics Durapot 864 inkapslingsmedel

Om utrustningen kan förväntas komma i kontakt med frätande ämnen, såsom lösningsmedel som kan angripa polymermaterial, åligger det användaren att vidta lämpliga åtgärder för att förhindra skadliga angrepp på utrustningen. Det är viktigt att utföra rutininspektioner och i materialdatablad kontrollera att transducern tål de kemikalier som används i tillämpningen.

Säkerhetsåtgärder

Transducerkroppen ST-H är utförd i två delar, formgjutna i PVDF eller ETFE med interna delar inkaplade i epoxi. Fogen mellan den övre och den undre sektionen är inte hermetiskt förseglad. Transducerns strukturella integritet äventyras om fogen exponeras mot en miljö som angriper epoxiharts. Överdelen kommer då att lossna från transducerns huvuddel.

För miljöer som är kompatibla med PVDF eller ETFE men som kan skada epoximaterial, måste transducern fläns- eller stubbmonteras med hjälp av 2"-gången på transducerns underdel. Fogen mellan den övre och den undre transducersektionen måste isoleras från den korrosiva miljön.



Om den övre sektionen skiljs från transducerns huvuddel, kommer spänningssatta elkretsar att utsättas för en skadlig miljö med ökad risk för explosion om flyktiga eller explosiva damm eller gaser förekommer i tillräcklig koncentration. En felfunktion i nivåsystemet kan också uppstå som kan påverka den process som använder ultraljudssystemet.

Specifikationer

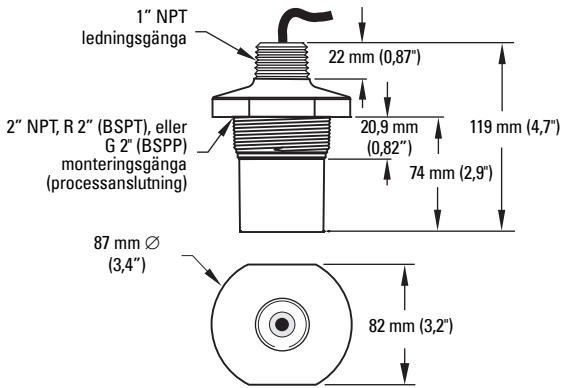
ST-H-Transducer	
Mätområde	0,3 - 10 m (1 - 33 ft)
Tryck	ventilera till atmosfär
Elförsörjning	transducern får endast matas med Siemens Milltronics certifierade styrenhet
Frekvens	44 kHz
Strålvinkel	12°
Vikt*	1,4 kg (3 lbs)
Separation	365 m (1200 ft) från transceivern
Miljöbetingelser	
Placering	inomhus/utomhus
Höjd över hav	2000 m (maximum)
Omgivande temperatur	-20 till +60 °C (-5 till +140 °F) (ATEX-godkänd modell) -40 till +73 °C (-40 till +163 °F) (CSA/FM-godkänd modell)
Konstruktion	
Hölje	PVDF eller ETFE-bas och lock (epoxibelagd packning)**
Montering	2" NPT (Kona), R 2" (BSPT), eller G 2" (BSPP) processanslutning
Kabel	2-tråds skärmad/tvinnad, 0,519 mm ² (20 AWG) PVC-mantel
Tillval	<ul style="list-style-type: none"> flänsadapter, var god studera bifogade anvisningar dränkbar koppling, se bifogade anvisningar
Godkännanden	CE***, FM, ATEX, C-TICK, INMETRO, CSA (endast ETFE)

* Approximativ transportvikt för transducer med standard kabellängd.

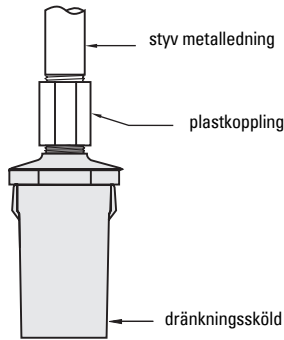
** För kemisk tillämpning, kontrollera kompatibiliteten för ETFE eller PVDF och epoximaterialen eller montera packning utanför processen.

*** Prestanda tillgängliga på begäran

Översikt och dimensioner



Dränkbar



Dränkbar transducer, används i tillämpningar där översvämning kan inträffa.

Flänsadapter

plastkoppling

Siemens Milltronics
flänsadapter

Detailed description: This diagram shows a flange adapter transducer. It features a plastic coupling (plastkoppling) at the top, which is connected to a Siemens Milltronics flange adapter. The adapter is mounted on a base with two electrical leads extending downwards.

7ML19985QK82

ST-H Transducer – DRIFTMANUAL

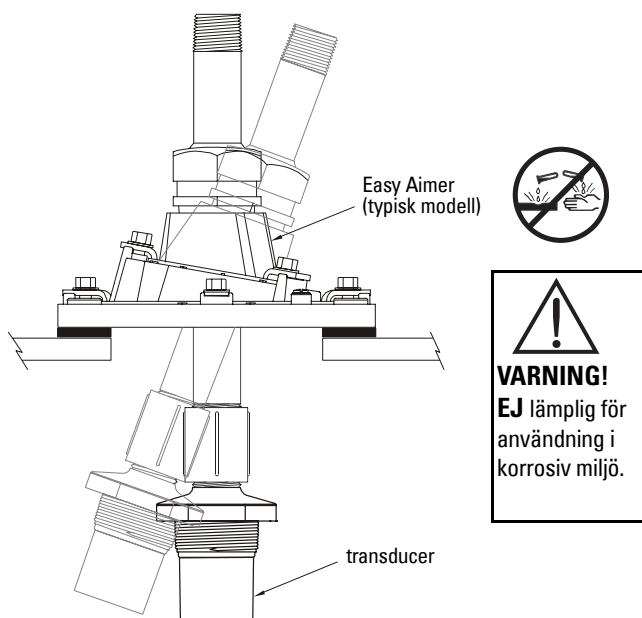
Sida SE-7

Montering

- Montera inte transducern direkt på metallen. Använd en plast-koppling och nippel för att isolera (skall tillhandahållas av kund).
- Montera transducern så att den är **ovanför den maximala materialnivån med minst blankvärdet**. Se styrenhetens manual.
- För tillämpningar på vätskor måste transducern monteras så att överföringsaxeln är vinkelrät mot vätskeytan. För tankar med en parabolisk överdel, kan en Easy Aimer användas för att montera transducern vinkelrätt mot vätskeytan.
- Vid tillämpningar på fasta material, använd en Siemens Milltronics Easy Aimer för att rikta in transducern.
- När transducern är monterad på ett ståndrör måste det inre ståndrörets yta och ände vara rena och fria från grader, utskjutande kanter, och sömmar.
- Beakta den tillvalbara temperatursensorn när transducern monteras.
- Dra inte åt för hårt. Handåtdragning räcker för de delar som skall monteras.

Montering – Tillämpningar med fasta ämnen

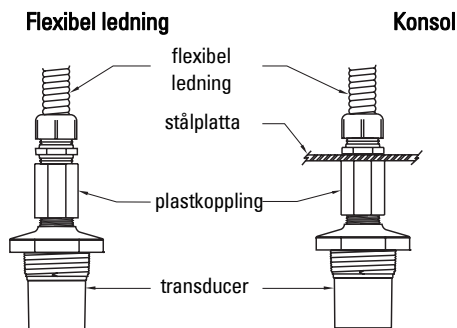
Icke-korrosiva Tillämpningar



I tillämpningar med fasta ämnen skall transducern monteras så att den riktas mot den låga nivåns tömningsspunkt. Använd den tillvalbara Siemens Milltronics Easy Aimer för att underlätta denna montering.

Montering – Tillämpningar med vätskor

Icke-korrosiva tillämpningar



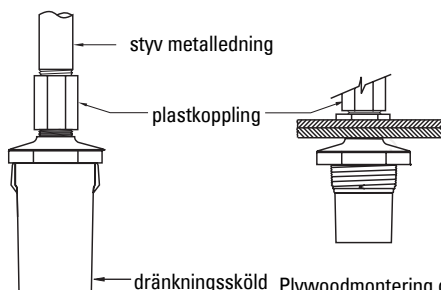
Transducer monterad med flexibel ledning får inte utsättas för vind, vibration, eller stötar.



VARNING!
EJ lämplig för användning i korrosiv miljö.

Dränkbar

Plywood

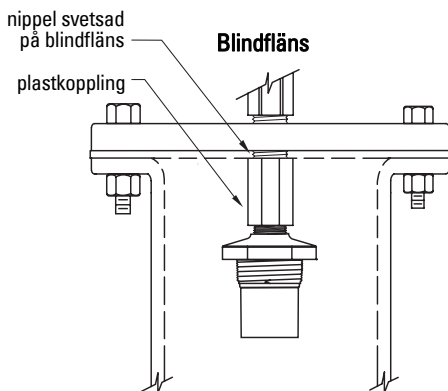


Dränkbar transducer, används i applikationer där översvämning kan inträffa.

Plywoodmontering ger utmärkt isolering, men enheten måste vara tillräckligt styv så att den inte ger efter om den belastas.



VARNING!
EJ lämplig för användning i korrosiv miljö.



Fläns, packning och järnvara tillhandahålls av kunden.

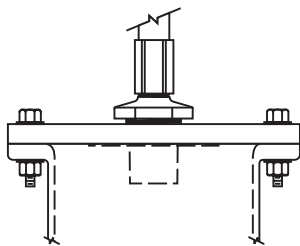


VARNING!
EJ lämplig för användning i korrosiv miljö.

Montering – Tillämpningar med vätskor

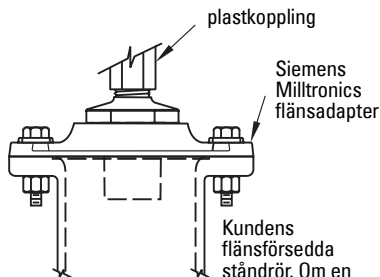
Korrosiv tillämpnings

Blindfläns



Fläns, packning och järnvara tillhandahålls av kund.

Flänsförsedd

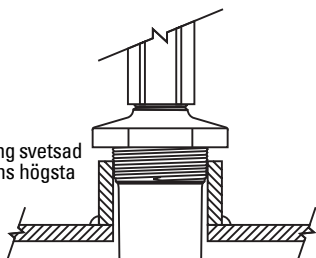


plastkoppling

Siemens Milltronics flänsadapter

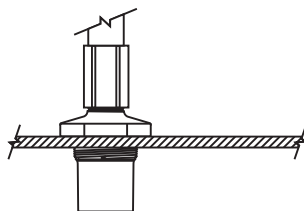
Kundens flänsförsedda ståndrör. Om en metallfläns måste svetsas på röret, se *Manual för Transducertillämpningar* tillgänglig på www.siemens.com/processautomation

Koppling



2" koppling svetsad på tankens högsta del

Koppling



Sammankoppling

Anmärkning: Installation får endast utföras av kompetent personal och enligt gällande lokala bestämmelser.

- För optimal isolering mot elektriskt brus, skall kabeln dras separat i en jordad metallränna utan några andra kablar (utom temperaturgivare). Jordskärm endast vid transceivern. Isolera skärm vid förgreningar för att förhindra oavsiktlig jordslutning.
- Täta alla gängade anslutningar för att hindra fuktangrepp.
- Dra inga kablar frilagda.
- Dra inte kabeln nära högspännings- eller starkströmsledningar, kontaktorer och SCR-styrenheter.

Direktkoppling

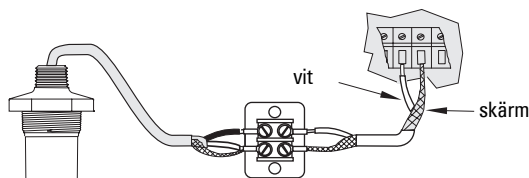
Anslut transducern direkt till Milltronics transceiver med hjälp av den skärmade tvåledarkabeln.



Anmärkning: Vid anslutning till en SITRANS LUC500, en MultiRanger 100/200, eller en HydroRanger 200, är de vita, svarta och skärmade ledarna alla separat anslutna BIND INTE ihop den vita och den skärmade ledaren.

Koaxial förlängning

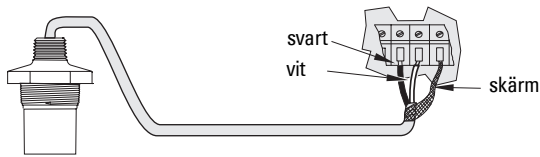
Anslut transducern till Siemens Milltronics transceiver via en kopplingsdosa och RG-62 A/U koaxialkabel. Denna lösning lämpar sig för kombinerade ledningar upp till 365 m (1.200 ft).



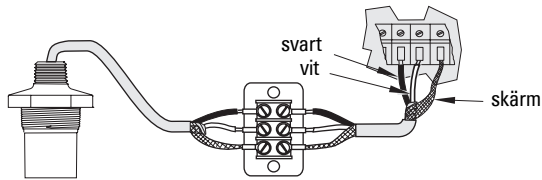
Förläng kabeln med RG-62 A/U koax

Anmärkning: Vid anslutning till en SITRANS LUC500, MultiRanger 100/200 och HydroRanger 200 skall koaxialkabel INTE användas; se lämpligt tillvägagångssätt i schema nedan.

3 Direktuttag*



3 Uttagsförlängning*



Förläng kabel med en 0,823 mm² (18 AWG) skärmad/tvinnad parkabel.

* Endast för SITRANS LUC500, MultiRanger 100/200, och HydroRanger 200



www.siemens.com/processautomation

Siemens Milltronics Process Instruments Inc.
1954 Technology Drive, P.O. Box 4225
Peterborough, ON, Canada K9J 7B1
Tel: (705) 745-2431 Fax: (705) 741-0466
Email: techpubs.smpi@siemens.com

©Siemens Milltronics Process Instruments Inc. 2008
Subject to change without prior notice



Printed in Canada

Rev. 2.1